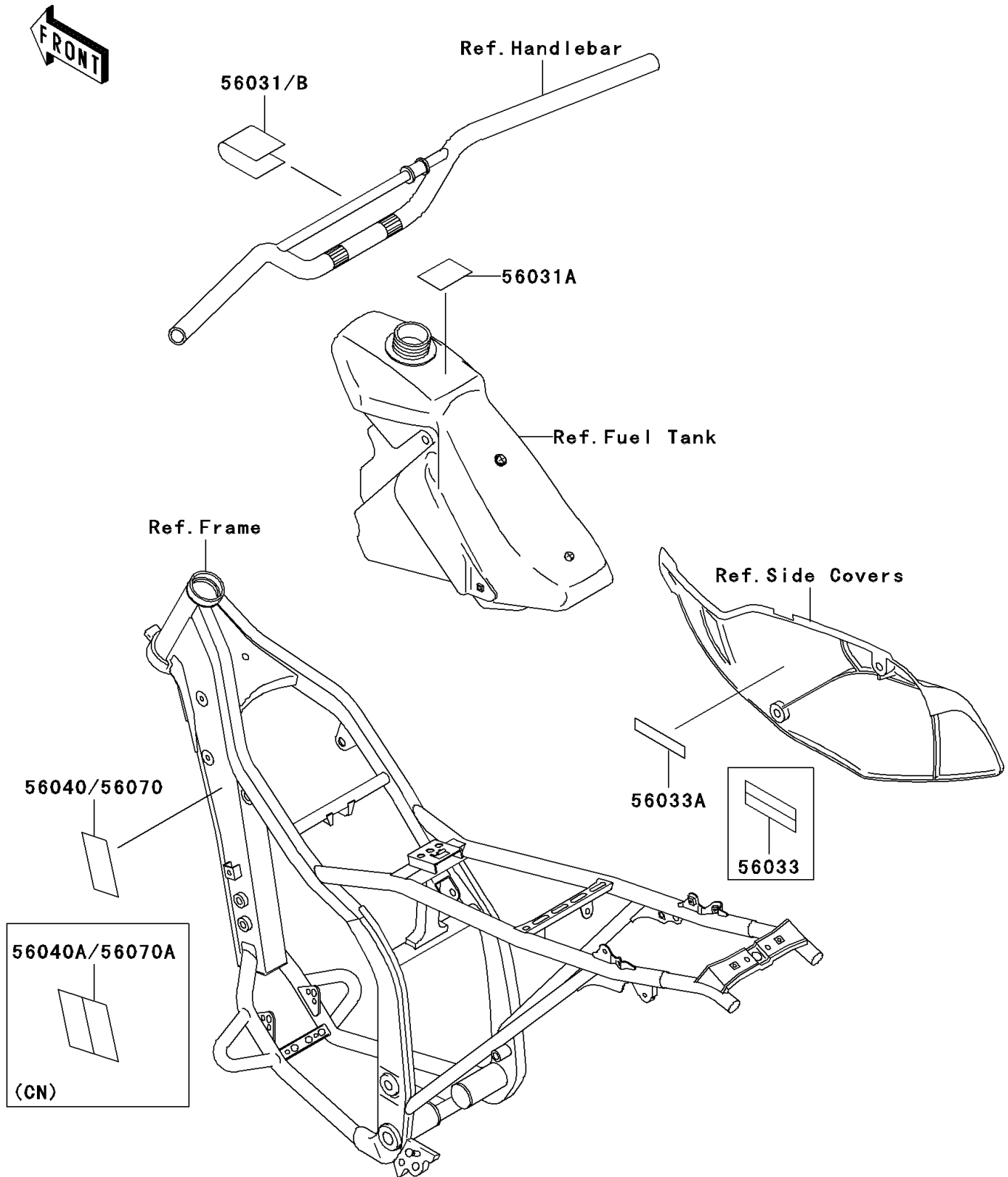


2002 KLX™300R PARTS DIAGRAM

Labels

F2860



2002 KLX™300R PARTS LIST

Labels

| ITEM NAME | PART NUMBER | QUANTITY |
|---|-------------|----------|
| LABEL-MANUAL,ENGINE START (Ref # 56031A) | 56031-1919 | 1 |
| LABEL-MANUAL,OIL&OIL FILTER (Ref # 56033) | 56033-1286 | 1 |
| LABEL-MANUAL,ENGINE START (Ref # 56031) | 56031-1917 | 1 |
| LABEL-MANUAL,ENGINE START (Ref # 56031B) | 56031-1925 | 1 |
| LABEL-WARNING,OFF-ROAD VEHICLE (Ref # 56040) | 56040-1018 | 1 |
| LABEL-WARNING,OFF-ROAD VEHICLE (Ref # 56040A) | 56040-1304 | 1 |