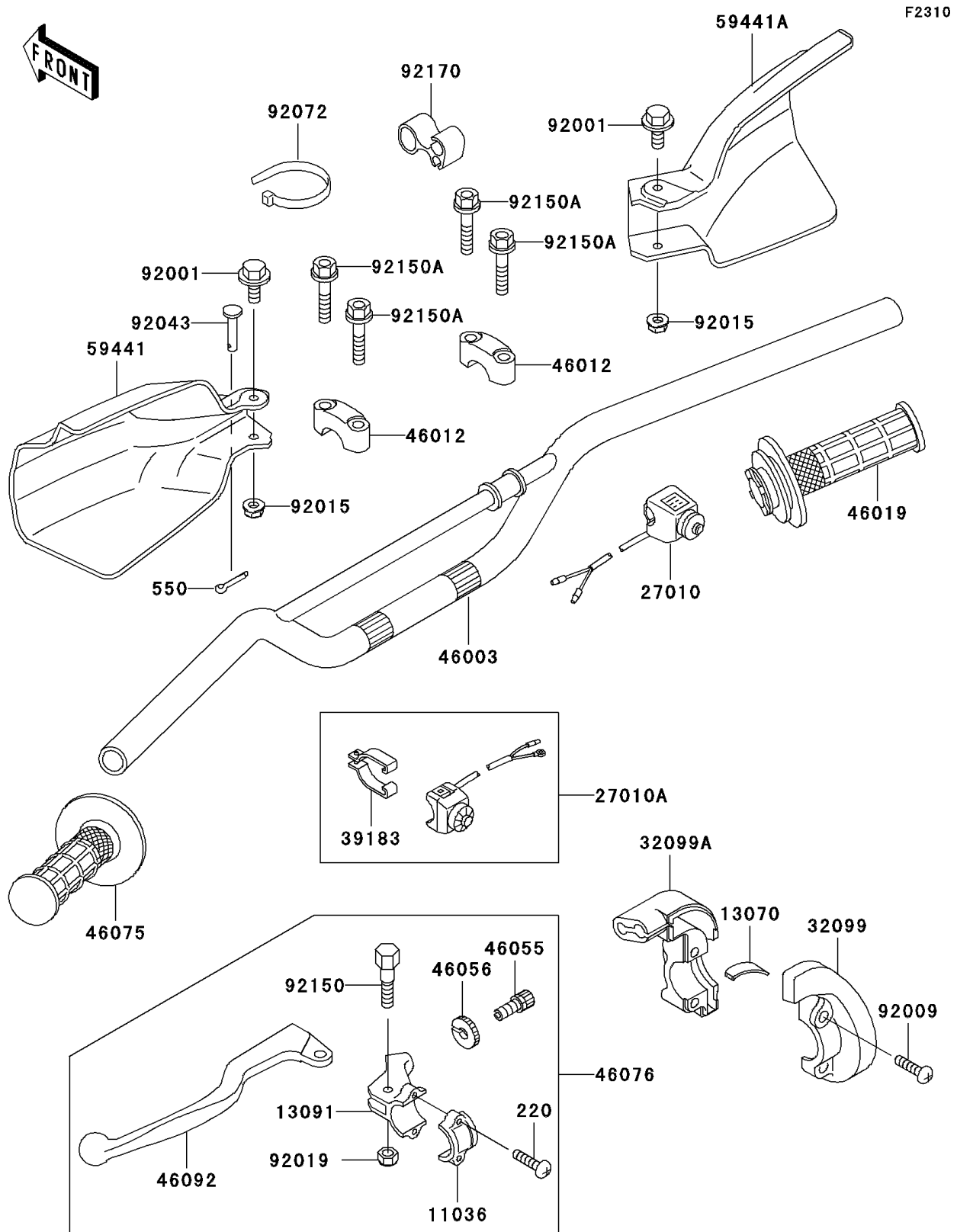


2002 KLX™300R PARTS DIAGRAM

Handlebar



2002 KLX™300R PARTS LIST

Handlebar

ITEM NAME	PART NUMBER	QUANTITY
SCREW-PAN-CROSS (Ref # 220)	220F0514	1
PIN-COTTER,1.2X10 (Ref # 550)	550D1210	1
BRACKET-A,LEVER HOLDER (Ref # 11036)	11036-1297	1
GUIDE,THROTTLE CABLE (Ref # 13070)	13070-1270	1
HOLDER,CLUTCH LEVER (Ref # 13091)	13091-1131	1
SWITCH,LIGHTING (Ref # 27010)	27010-1279	1
SWITCH,ENGINE STOP (Ref # 27010A)	27010-1350	1
CASE,THROTTLE,UPP (Ref # 32099)	32099-1143	1
CASE,THROTTLE,LWR (Ref # 32099A)	32099-1144	1
BAND-ASSY,ENGINE STOP SWITCH (Ref # 39183)	39183-1059	1
HANDLE,SILVER NO.25 (Ref # 46003)	46003-1382-CE	1
HOLDER-HANDLE,UPP (Ref # 46012)	46012-1191	1
GRIP-ASSY,THROTTLE (Ref # 46019)	46019-1078	1
SCREW,CABLE ADJUST,8MM (Ref # 46055)	46055-009	1
NUT,CABLE ADJUST (Ref # 46056)	46056-006	1
GRIP,LH (Ref # 46075)	46075-1107	1
LEVER-ASSY-GRIP,CLUTCH (Ref # 46076)	46076-1163	1
LEVER-GRIP,CLUTCH (Ref # 46092)	46092-1110	1
COVER-HANDLE,LH,L.GREEN (Ref # 59441)	59441-1094-6W	1
COVER-HANDLE,RH,L.GREEN (Ref # 59441A)	59441-1108-6W	1
BOLT,FLANGED,6X10 (Ref # 92001)	92001-1034	1
SCREW,5X16 (Ref # 92009)	92009-1699	1
NUT,LOCK,FLANGED,6MM (Ref # 92015)	92015-1603	1
NUT,LOCK,6MM (Ref # 92019)	92019-008	1
PIN,5X27.5 (Ref # 92043)	92043-1434	1
BAND,L=140 (Ref # 92072)	92072-1293	1
BOLT (Ref # 92150)	92150-1291	1
BOLT,FLANGED,8X35 (Ref # 92150A)	92150-1696	1
CLAMP,BRAKE HOSE (Ref # 92170)	92170-1255	1