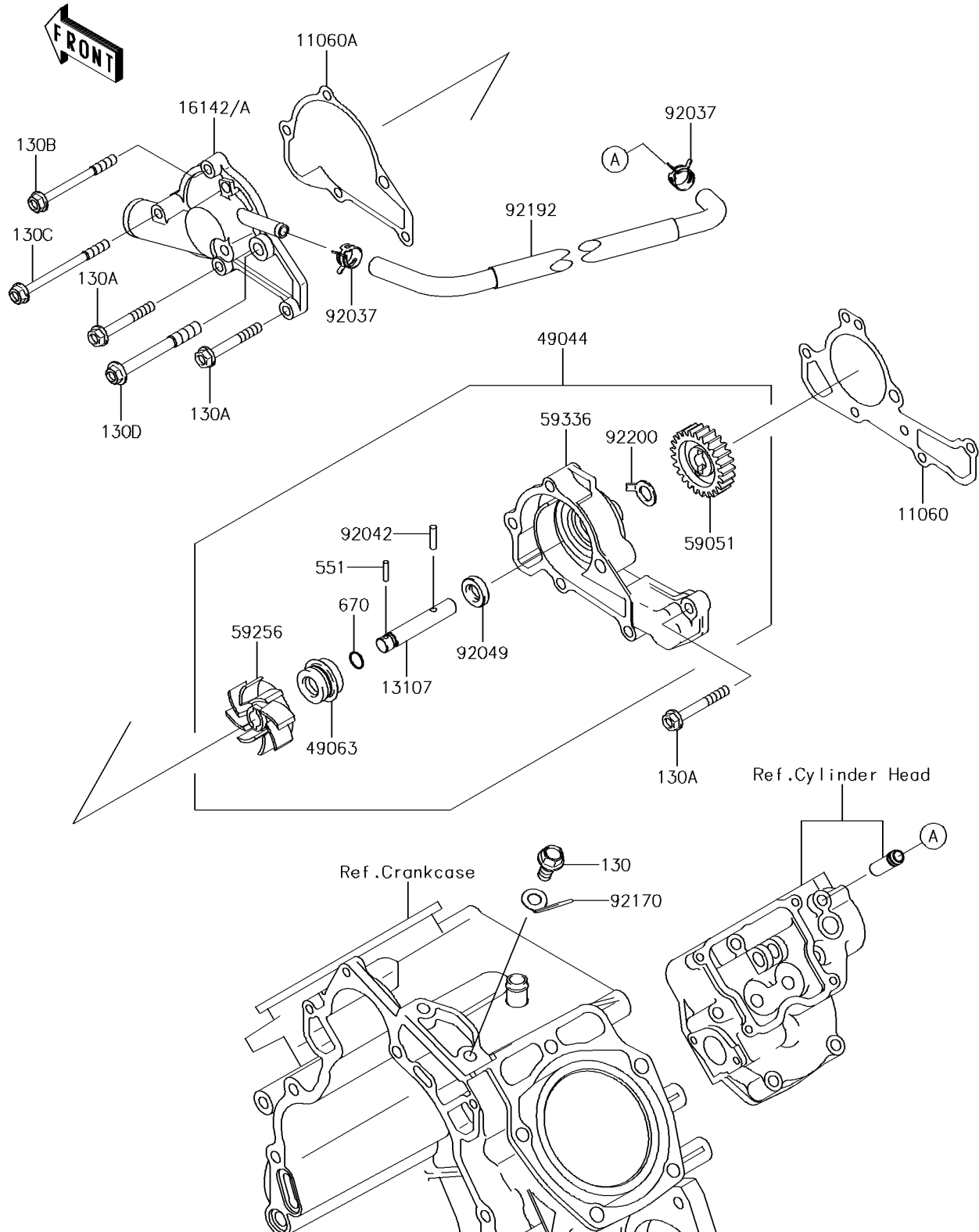


2014 MULE™ 4010 4x4 PARTS DIAGRAM

Water Pump

E3031



2014 MULE™ 4010 4x4 PARTS LIST

Water Pump

| ITEM NAME | PART NUMBER | QUANTITY |
|----------------------------------|-------------|----------|
| GASKET,PUMP CASE (Ref # 11060) | 11060-2450 | 1 |
| GASKET,PUMP COVER (Ref # 11060A) | 11060-2451 | 1 |
| BOLT-FLANGED,8X16 (Ref # 130) | 130BA0816 | 1 |
| BOLT-FLANGED,6X45 (Ref # 130A) | 130CA0645 | 1 |
| BOLT-FLANGED,6X65 (Ref # 130B) | 130CA0665 | 1 |
| BOLT-FLANGED,6X75 (Ref # 130C) | 130CA0675 | 1 |
| BOLT-FLANGED,8X70 (Ref # 130D) | 130CA0870 | 1 |
| SHAFT,IMPELLER (Ref # 13107) | 13107-2097 | 1 |
| COVER-PUMP (Ref # 16142) | 16142-0714 | 1 |
| PUMP-WATER (Ref # 49044) | 49044-2066 | 1 |
| SEAL-MECHANICAL (Ref # 49063) | 49063-1056 | 1 |
| PIN-DOWEL,3X14 (Ref # 551) | 551A0314 | 1 |
| GEAR-SPUR (Ref # 59051) | 59051-2113 | 1 |
| IMPELLER (Ref # 59256) | 59256-2057 | 1 |
| CASE-PUMP (Ref # 59336) | 59336-2052 | 1 |
| O RING,7MM (Ref # 670) | 670B1507 | 1 |
| CLAMP,HOSE CLIP (Ref # 92037) | 92037-1181 | 1 |
| PIN,DOWEL,4X15.8 (Ref # 92042) | 92042-014 | 1 |
| SEAL-OIL (Ref # 92049) | 92049-2111 | 1 |
| CLAMP (Ref # 92170) | 92170-2060 | 1 |
| TUBE (Ref # 92192) | 92192-2169 | 1 |
| WASHER (Ref # 92200) | 92200-2044 | 1 |