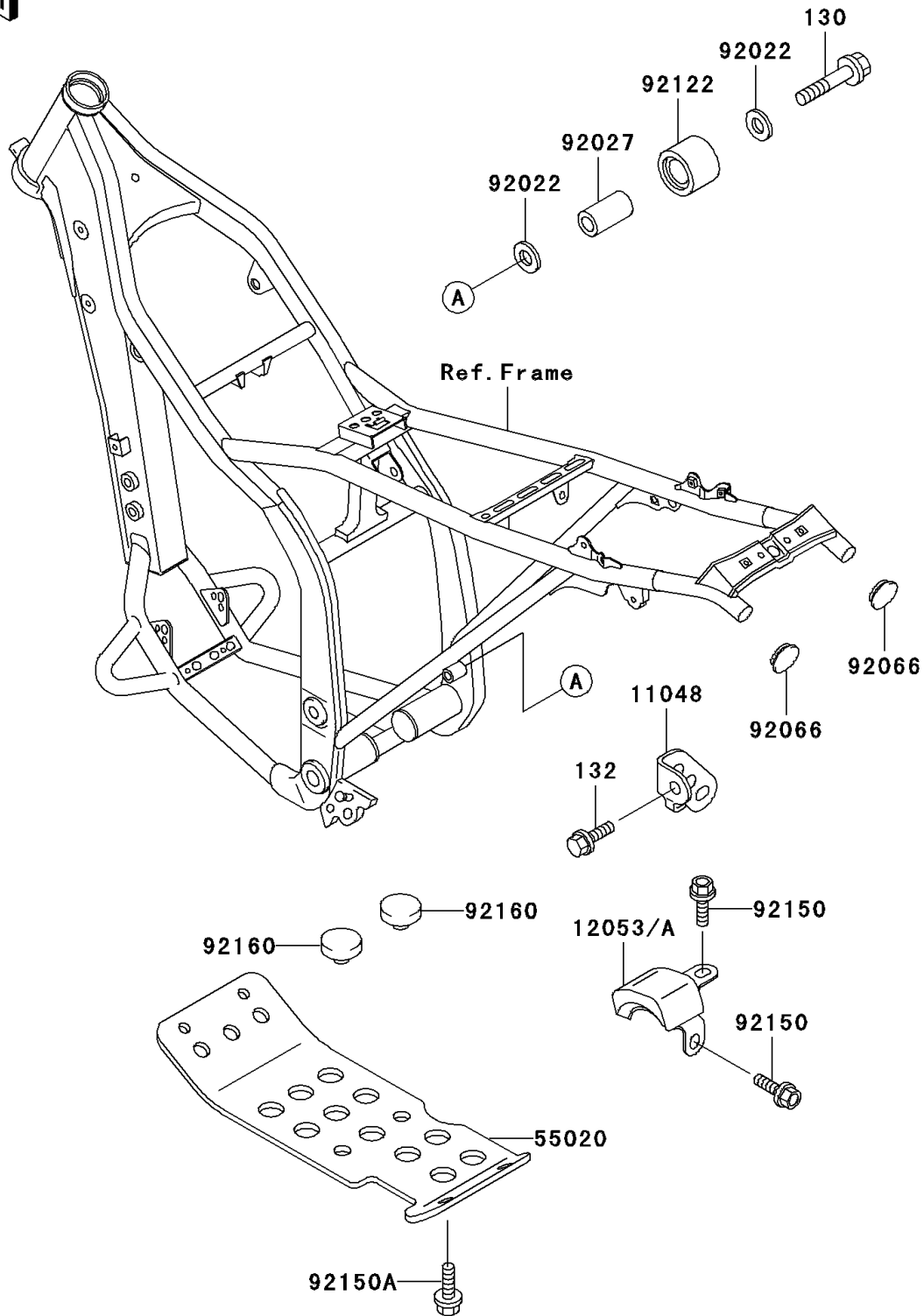


2002 KLX™300R PARTS DIAGRAM

Frame Fittings

F2131



2002 KLX™300R PARTS LIST

Frame Fittings

ITEM NAME	PART NUMBER	QUANTITY
BOLT-FLANGED,8X40 (Ref # 130)	130G0840	1
BOLT-FLANGED-SMALL (Ref # 132)	132G0612	1
BRACKET,AIR FILTER,LWR,LH (Ref # 11048)	11048-1223	1
GUIDE-CHAIN (Ref # 12053A)	12053-1314	1
GUARD,ENGINE (Ref # 55020)	55020-1456	1
WASHER,8.5X20X1.6 (Ref # 92022)	92022-1561	1
COLLAR,CHAIN ROLLER (Ref # 92027)	92027-1670	1
PLUG,FRAME END,12X13 (Ref # 92066)	92066-1034	1
ROLLER,CHAIN GUIDE (Ref # 92122)	92122-1153	1
BOLT,6X14 (Ref # 92150)	92150-1340	1
BOLT,6X12 (Ref # 92150A)	92150-1435	1
DAMPER,ENGINE GUARD (Ref # 92160)	92160-1396	1