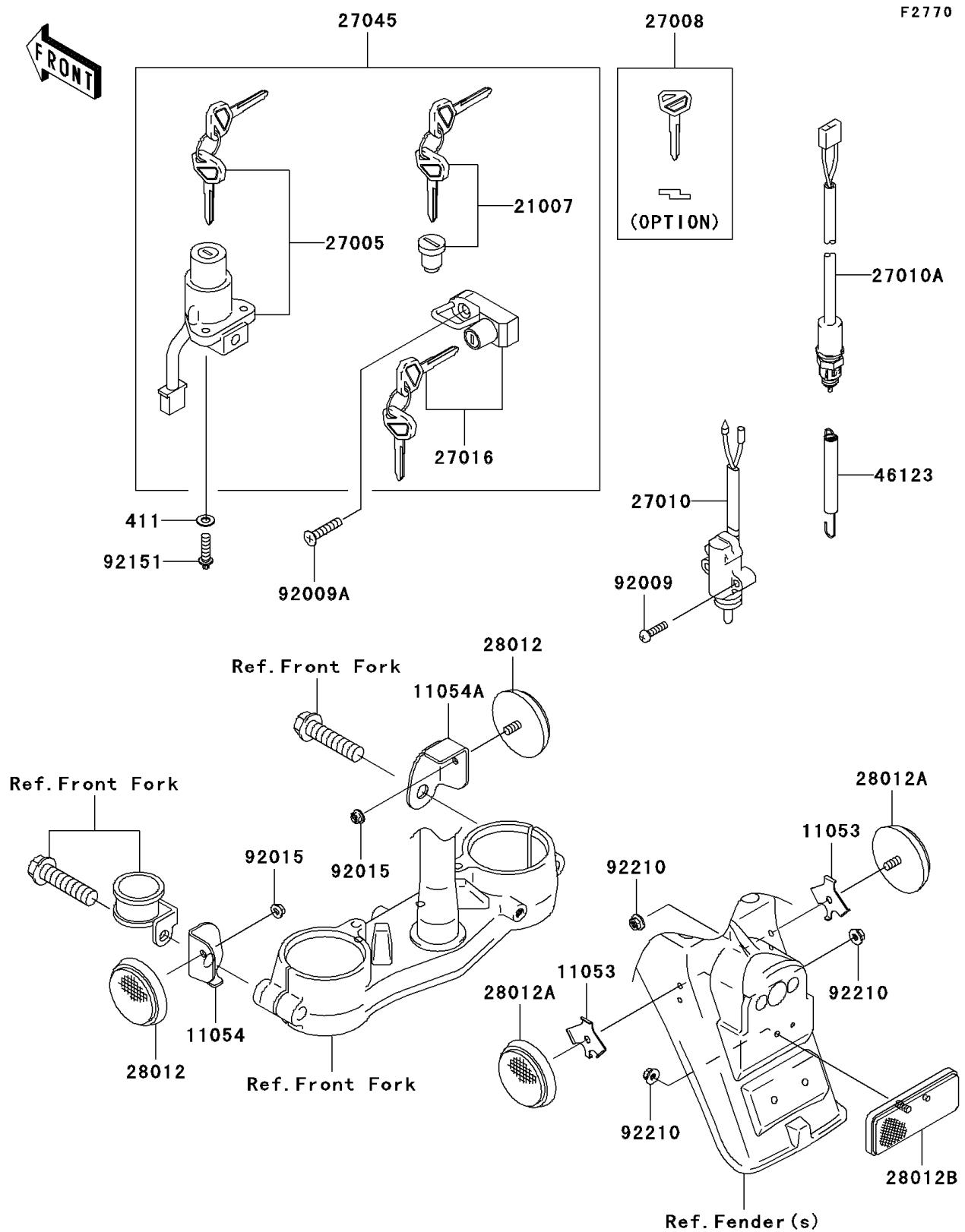


## 2006 KLX<sup>®</sup>250S PARTS DIAGRAM

Ignition Switch



## 2006 KLX®250S PARTS LIST

### Ignition Switch

ITEM NAME	PART NUMBER	QUANTITY
WASHER-PLAIN,6MM (Ref # 411)	411E0600	1
BRACKET,REFLECTOR,RR (Ref # 11053)	11053-1720	1
BRACKET,REFLECTOR,FR,LH (Ref # 11054)	11054-0367	1
BRACKET,REFLECTOR,FR,RH (Ref # 11054A)	11054-0368	1
ROTOR,LOCK,TANK CAP (Ref # 21007)	21007-5052	1
SWITCH-ASSY-IGNITION (Ref # 27005)	27005-0025	1
KEY-LOCK,BLANK (Ref # 27008)	27008-1220	1
SWITCH,SIDE STAND (Ref # 27010)	27010-0045	1
SWITCH,REAR BRAKE (Ref # 27010A)	27010-1489	1
LOCK-ASSY,HELMET (Ref # 27016)	27016-5291	1
SWITCH-ASSY (Ref # 27045)	27045-5320	1
REFLECTOR-REFLEX,FR (Ref # 28012)	28012-016	1
REFLECTOR-REFLEX (Ref # 28012A)	28012-1067	1
REFLECTOR-REFLEX (Ref # 28012B)	28012-1077	1
SPRING-COMP,REAR BRAKE SWITCH (Ref # 46123)	46123-0002	1
SCREW,5X20 (Ref # 92009)	92009-1459	1
SCREW,6X30 (Ref # 92009A)	92009-1753	1
NUT,FLANGED,5MM (Ref # 92015)	92015-1259	1
BOLT,TORX,6X22 (Ref # 92151)	92151-1946	1
NUT,FLANGED,5MM (Ref # 92210)	92210-0007	1