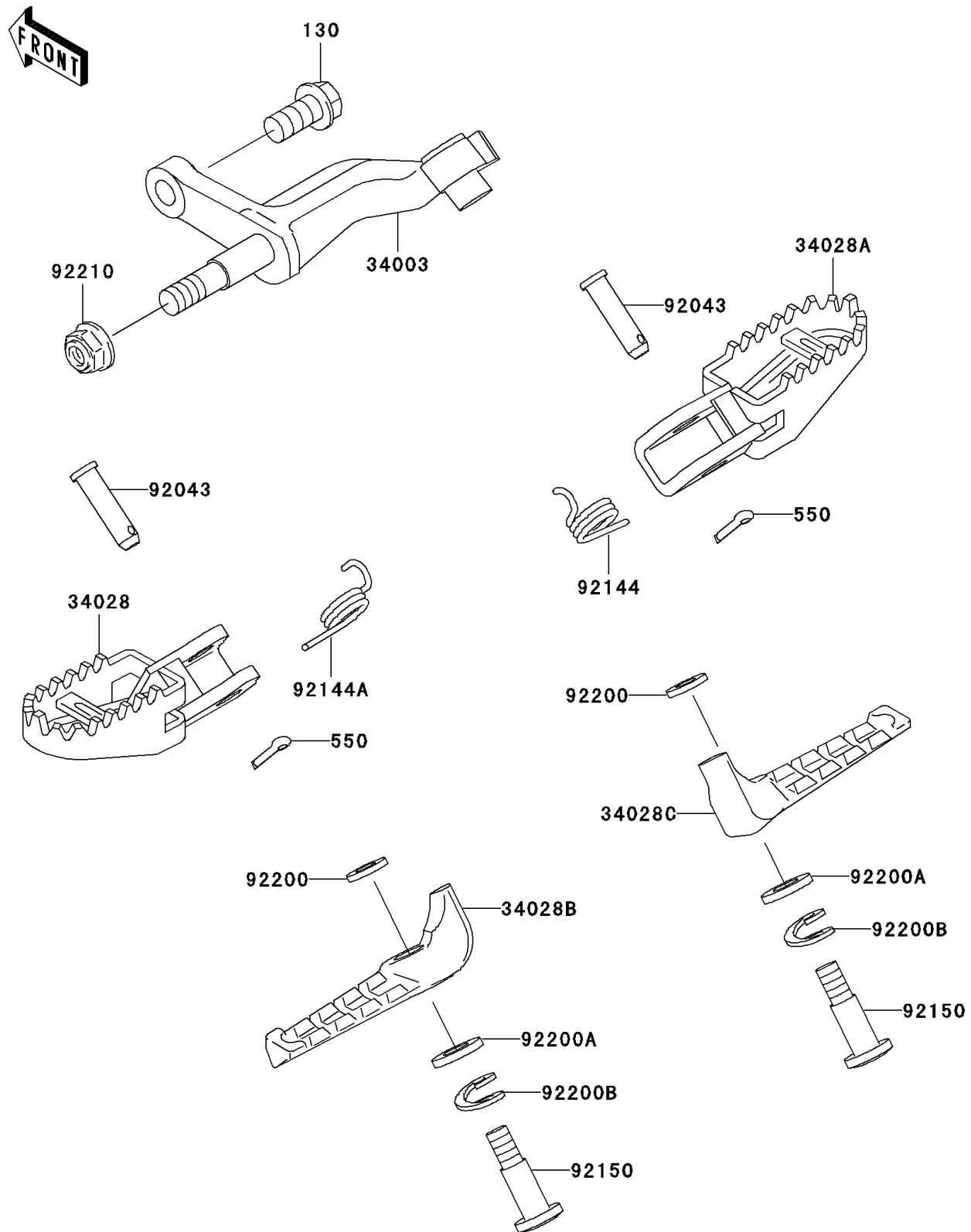


2006 KLX[®]250S PARTS DIAGRAM

Footrests

F2160



2006 KLX®250S PARTS LIST

Footrests

ITEM NAME	PART NUMBER	QUANTITY
BOLT-FLANGED,10X20 (Ref # 130)	130P1020	1
PIN-COTTER,2.5X15 (Ref # 550)	550D2515	1
HOLDER-STEP,RH,P.SILVER (Ref # 34003)	34003-1401-458	1
STEP,FR,LH (Ref # 34028)	34028-1361	1
STEP,FR,RH (Ref # 34028A)	34028-1362	1
STEP,RR,LH (Ref # 34028B)	34028-1376	1
STEP,RR,RH (Ref # 34028C)	34028-1377	1
PIN,8X35.5 (Ref # 92043)	92043-115	1
SPRING,STEP RETURN,RH (Ref # 92144)	92144-1685	1
SPRING,STEP RETURN,LH (Ref # 92144A)	92144-1749	1
BOLT,SOCKET,8X34 (Ref # 92150)	92150-1584	1
WASHER,8.5X16X1.2 (Ref # 92200)	92200-0089	1
WASHER,10.5X19X2.3 (Ref # 92200A)	92200-1042	1
WASHER,SPRING (Ref # 92200B)	92200-1133	1
NUT,LOCK,FLANGED,10MM (Ref # 92210)	92210-1080	1