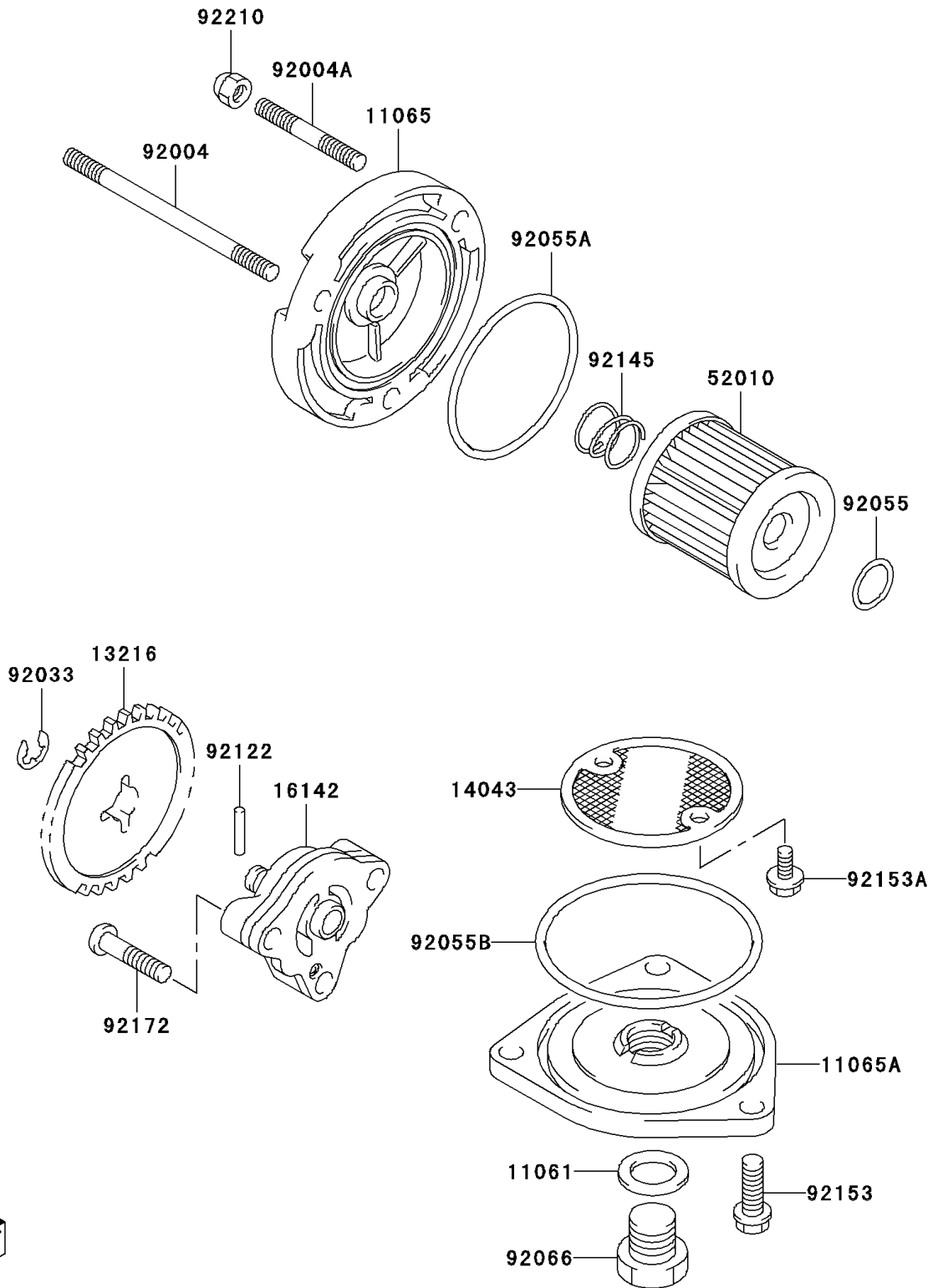


2006 KLX™125 PARTS DIAGRAM

Oil Pump

E1710



2006 KLX™125 PARTS LIST

Oil Pump

ITEM NAME	PART NUMBER	QUANTITY
GASKET,13.8X18.8X0.4 (Ref # 11061)	11061-S006	1
CAP,OIL FILTER (Ref # 11065)	11065-S015	1
CAP,OIL STRAINER (Ref # 11065A)	11065-S016	1
GEAR-COMP,OIL PUMP DRIVEN (Ref # 13216)	13216-S004	1
FILTER (Ref # 14043)	14043-S002	1
COVER-PUMP (Ref # 16142)	16142-S001	1
ELEMENT-OIL FILTER,ENGINE OIL (Ref # 52010)	52010-S002	1
STUD,L=90 (Ref # 92004)	92004-S006	1
STUD (Ref # 92004A)	92004-S007	1
RING-SNAP (Ref # 92033)	92033-S018	1
RING-O,D=1.9 (Ref # 92055)	92055-S005	1
RING-O,D=2.4 (Ref # 92055A)	92055-S010	1
RING-O,D=2.4 (Ref # 92055B)	92055-S037	1
PLUG (Ref # 92066)	92066-S002	1
ROLLER (Ref # 92122)	92122-S004	1
SPRING,OIL FILTER CAP (Ref # 92145)	92145-S004	1
BOLT (Ref # 92153)	92153-S002	1
BOLT (Ref # 92153A)	92153-S132	1
SCREW (Ref # 92172)	92172-S090	1
NUT (Ref # 92210)	92210-S045	1