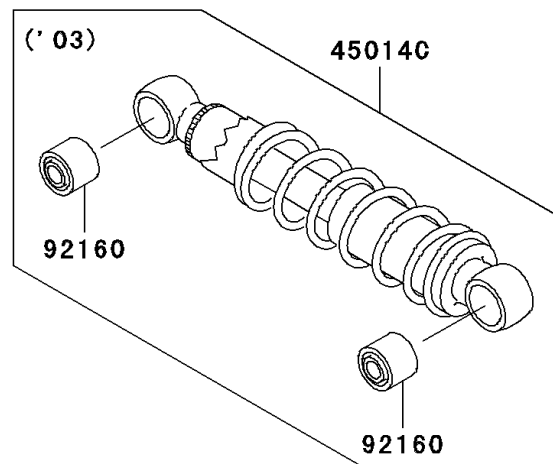
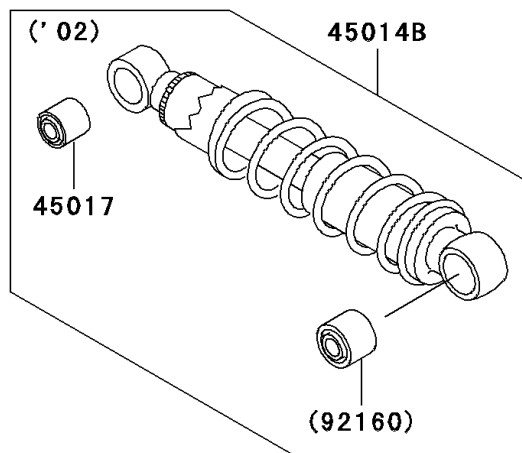
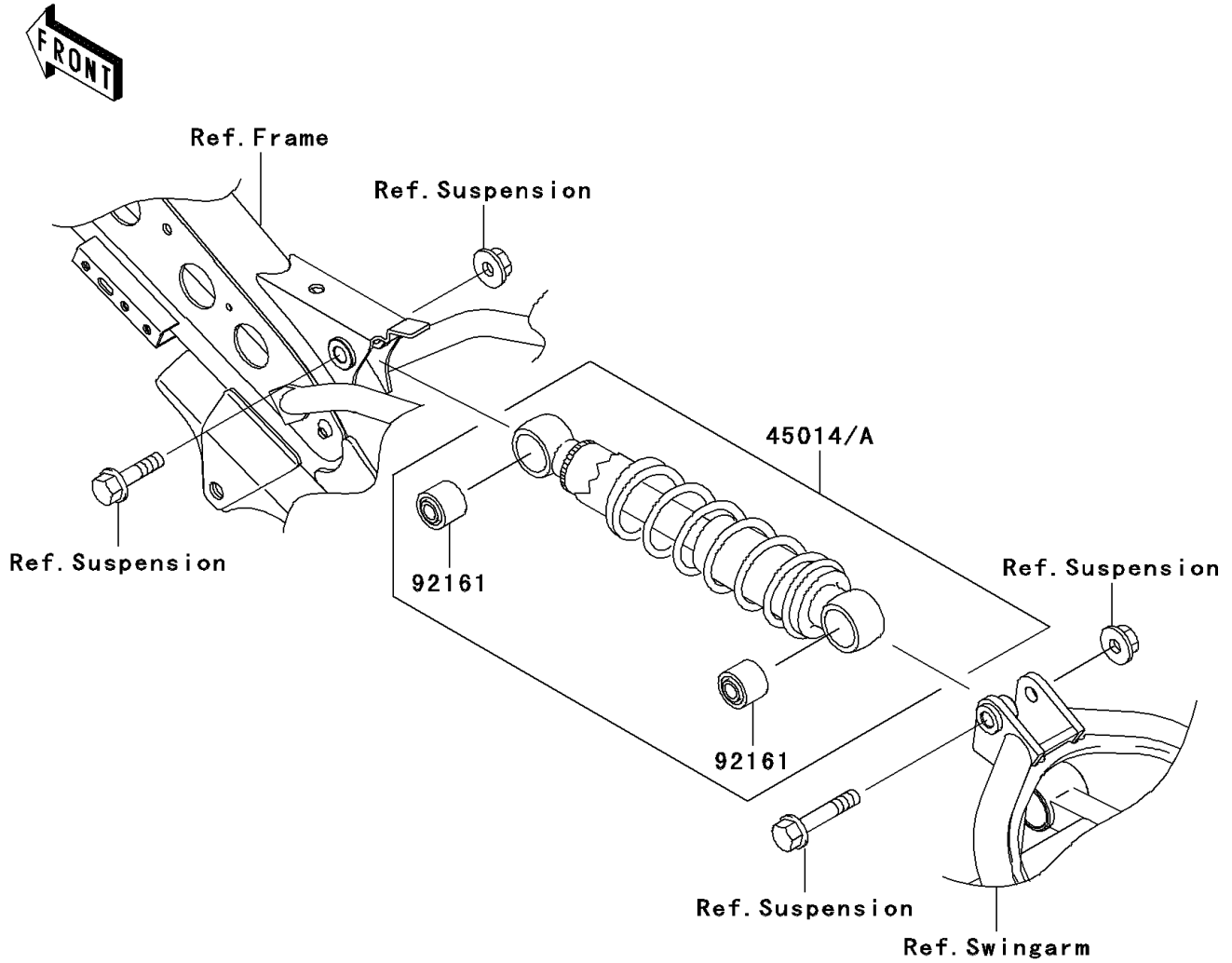


2002 KLX® 110 PARTS DIAGRAM

Shock Absorber(s)

F2280



2002 KLX®110 PARTS LIST

Shock Absorber(s)

ITEM NAME	PART NUMBER	QUANTITY
SHOCKABSORBER,BLACK (Ref # 45014B)	45014-1802-10	1
DAMPER,SHOCKABSORBER,LWR (Ref # 45017)	45017-019	1
DAMPER,SHOCKABSORBER (Ref # 92160)	92160-1018	1