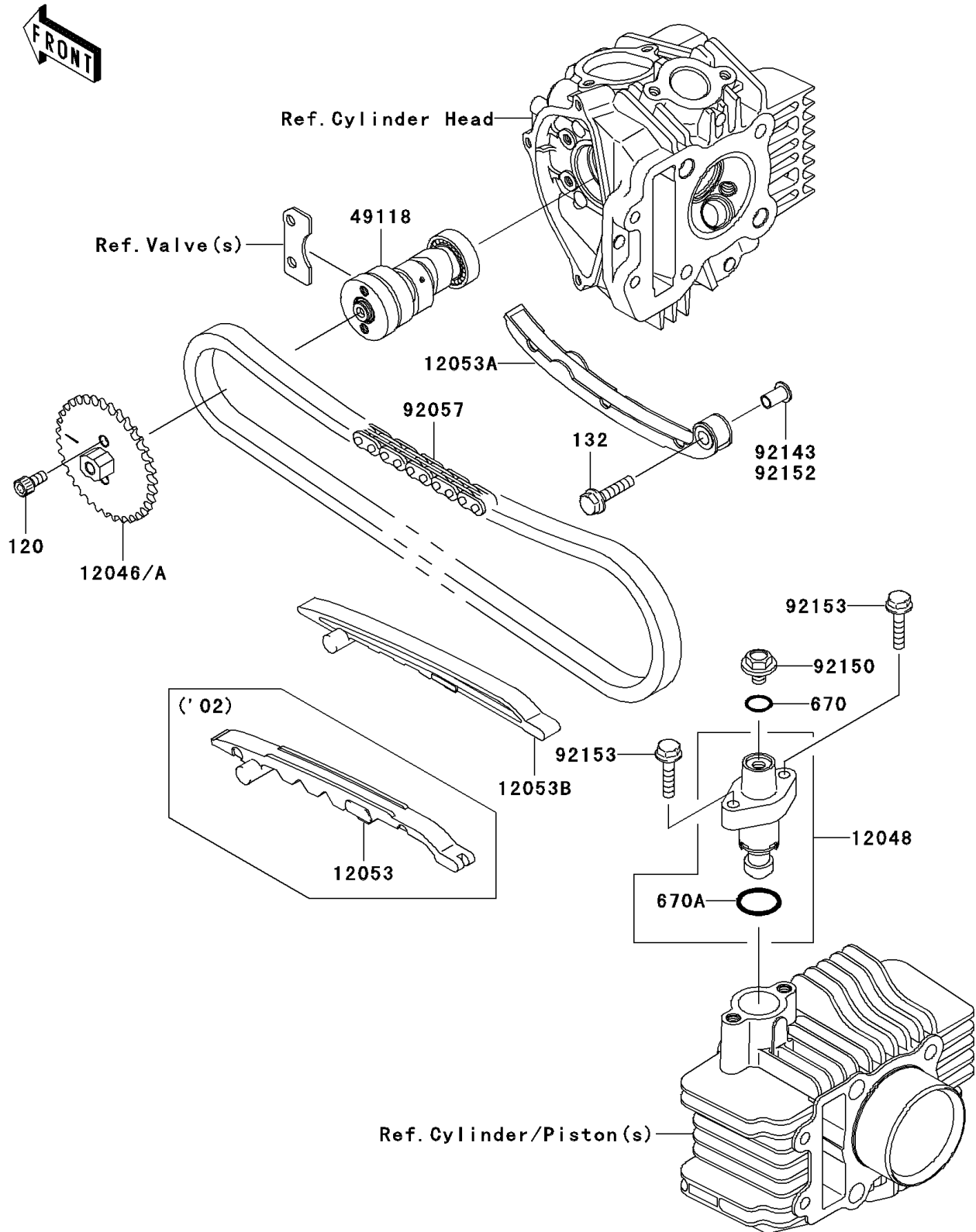


2002 KLX® 110 PARTS DIAGRAM

Camshaft(s)/Tensioner

E1230



2002 KLX® 110 PARTS LIST

Camshaft(s)/Tensioner

ITEM NAME	PART NUMBER	QUANTITY
BOLT-SOCKET,6X12 (Ref # 120)	120P0612	1
BOLT-FLANGED-SMALL (Ref # 132)	132G0625	1
O RING (Ref # 670)	670D2010	1
O RING,21MM (Ref # 670A)	670D2021	1
SPROCKET,CAM CHAIN,36T (Ref # 12046)	12046-1187	1
TENSIONER-ASSY (Ref # 12048)	12048-1164	1
GUIDE-CHAIN,TIGHT (Ref # 12053)	12053-1396	1
GUIDE-CHAIN,LOOSE (Ref # 12053A)	12053-1397	1
CAMSHAFT-COMP (Ref # 49118)	49118-1214	1
CHAIN,CAM (Ref # 92057)	92057-1449	1
COLLAR (Ref # 92143)	92143-1857	1
BOLT,TENSIONER (Ref # 92150)	92150-1380	1
BOLT,M6X25 (Ref # 92153)	92153-1185	1