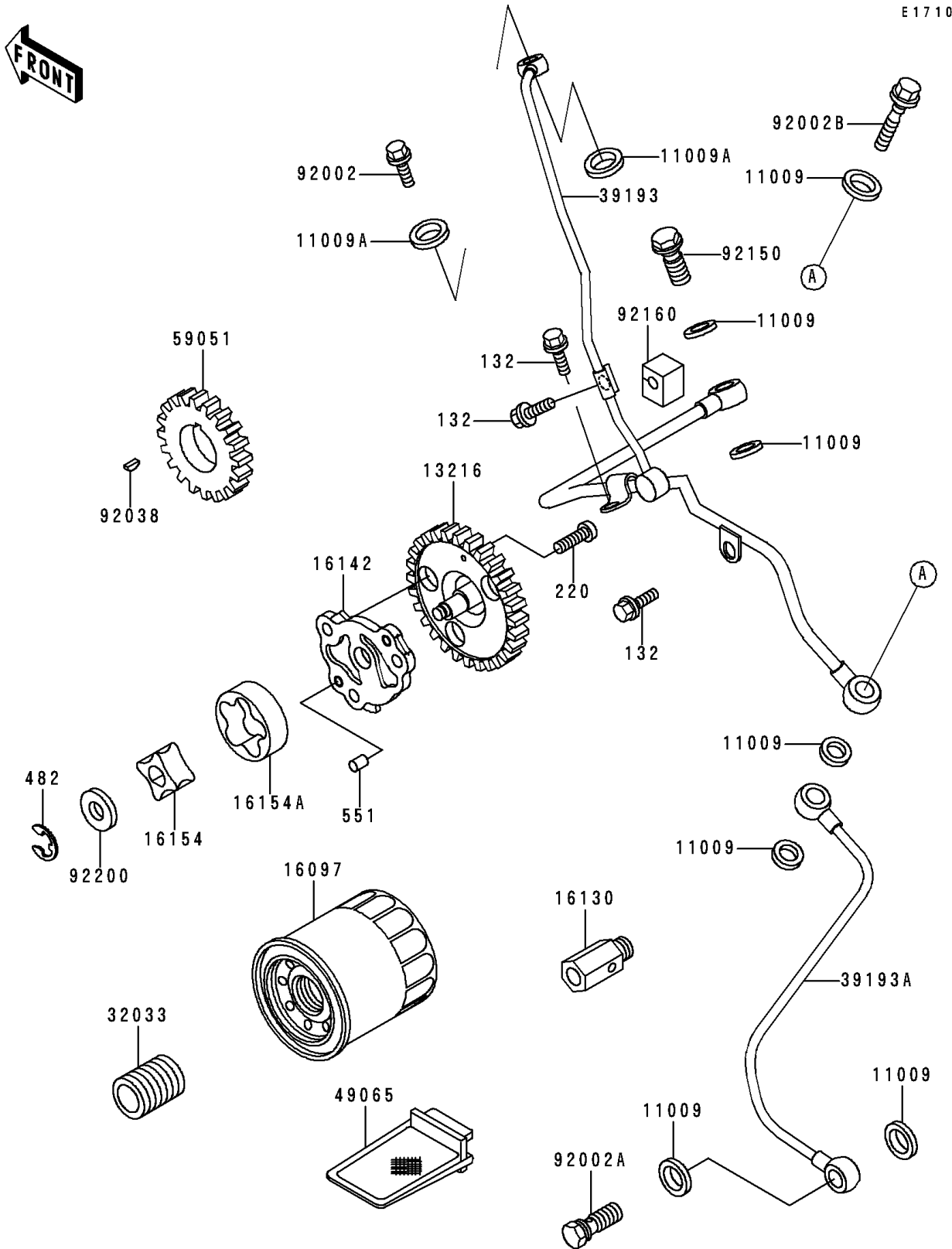


## 1996 Bayou® 400 4x4 PARTS DIAGRAM

Oil Pump/Oil Filter

E1710



## 1996 Bayou® 400 4x4 PARTS LIST

Oil Pump/Oil Filter

ITEM NAME	PART NUMBER	QUANTITY
BOLT-FLANGED-SMALL (Ref # 132)	132G0612	1
SCREW-PAN-CROS,6X14 (Ref # 220)	220B0614	1
CIRCLIP-TYPE-E,6MM (Ref # 482)	482J6000	1
PIN-DOWEL,6X8 (Ref # 551)	551A0608	1
GASKET,10X14.5X1.5 (Ref # 11009)	11009-1105	1
GASKET,OIL PIPE,8.2X14X1.0 (Ref # 11009A)	11009-1344	1
GEAR-COMP,52T (Ref # 13216)	13216-1133	1
FILTER-ASSY-OIL (Ref # 16097)	16097-1063	1
VALVE-ASSY-RELIEF (Ref # 16130)	16130-1001	1
COVER-PUMP (Ref # 16142)	16142-1118	1
ROTOR-PUMP,INNER (Ref # 16154)	16154-2059	1
ROTOR-PUMP,OUTER (Ref # 16154A)	16154-2060	1
PIPE,OIL FILTER (Ref # 32033)	32033-1535	1
PIPE-OIL,HEAD-CASE (Ref # 39193)	39193-1008	1
PIPE-OIL,PARTICULAR (Ref # 39193A)	39193-1009	1
FILTER-OIL (Ref # 49065)	49065-1070	1
GEAR-SPUR,PUMP,30T (Ref # 59051)	59051-1255	1
BOLT,BANJO,8X20 (Ref # 92002)	92002-1429	1
BOLT,OIL,L=23 (Ref # 92002A)	92002-1888	1
BOLT,OIL,L=37 (Ref # 92002B)	92002-1909	1
KEY (Ref # 92038)	92038-1056	1
BOLT,BANJO,10X23 (Ref # 92150)	92150-1123	1
DAMPER (Ref # 92160)	92160-1522	1
WASHER,7.7X13X1.0 (Ref # 92200)	92200-1107	1