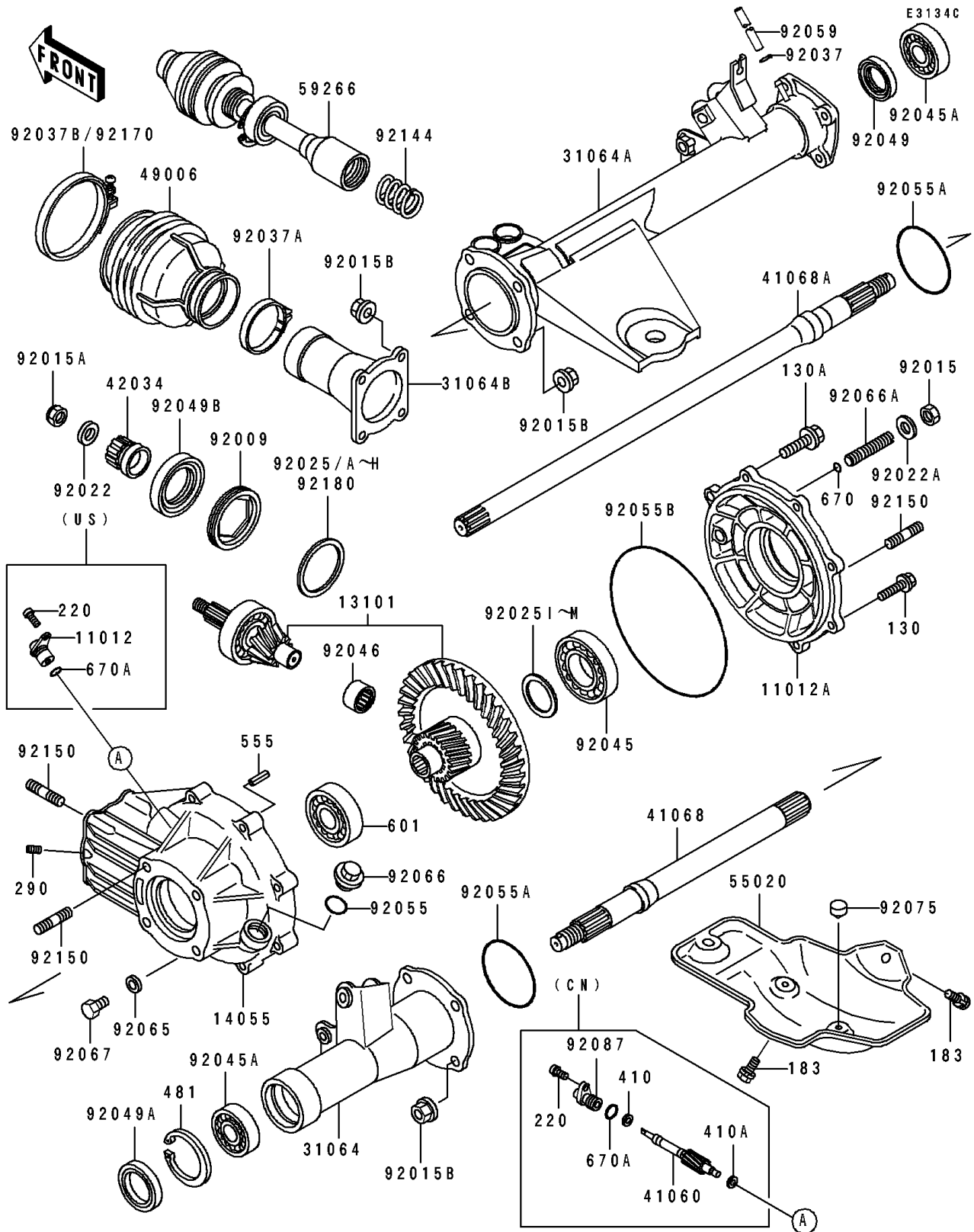


## 1993 Bayou® 400 4x4 PARTS DIAGRAM

Drive Shaft(Rear)



## 1993 Bayou® 400 4x4 PARTS LIST

Drive Shaft(Rear)

| ITEM NAME                            | PART NUMBER | QUANTITY |
|--------------------------------------|-------------|----------|
| CAP,METER GEAR (Ref # 11012)         | 11012-1650  | 1        |
| CAP,GEAR CASE (Ref # 11012A)         | 11012-1651  | 1        |
| GEAR-ASSY,BEVEL (Ref # 13101)        | 13101-5084  | 1        |
| CASE-GEAR,RR (Ref # 14055)           | 14055-1089  | 1        |
| PIPE-COMP,LH (Ref # 31064)           | 31064-1098  | 1        |
| PIPE-COMP,RH (Ref # 31064A)          | 31064-1099  | 1        |
| PIPE-COMP,DRIVE SHAFT (Ref # 31064B) | 31064-1128  | 1        |
| GEAR-METER SCREW (Ref # 41060)       | 41060-1126  | 1        |
| AXLE,LH (Ref # 41068)                | 41068-1347  | 1        |
| AXLE,RH (Ref # 41068A)               | 41068-1348  | 1        |
| COUPLING (Ref # 42034)               | 42034-1104  | 1        |
| BOOT,DRIVE SHAFT (Ref # 49006)       | 49006-1237  | 1        |
| GUARD,ENGINE (Ref # 55020)           | 55020-1306  | 1        |
| JOINT-BALL (Ref # 59266)             | 59266-1089  | 1        |
| SCREW (Ref # 92009)                  | 92009-1528  | 1        |
| NUT,12MM (Ref # 92015)               | 92015-006   | 1        |
| NUT,12MM (Ref # 92015A)              | 92015-1182  | 1        |
| NUT,FLANGED,10MM (Ref # 92015B)      | 92015-1335  | 1        |
| WASHER,12.3X25X3.2 (Ref # 92022)     | 92022-1293  | 1        |
| WASHER,12MM (Ref # 92022A)           | 92022-1538  | 1        |
| SHIM,52.5X61.5X0.15 (Ref # 92025)    | 92025-1669  | 1        |
| SHIM,52.5X61.5X0.18 (Ref # 92025A)   | 92025-1670  | 1        |
| SHIM,52.5X61.5X0.8 (Ref # 92025B)    | 92025-1671  | 1        |
| SHIM,52.5X61.5X0.9 (Ref # 92025C)    | 92025-1672  | 1        |
| SHIM,52.5X61.5X1.0 (Ref # 92025D)    | 92025-1673  | 1        |
| SHIM,52.5X61.5X1.1 (Ref # 92025E)    | 92025-1674  | 1        |
| SHIM,52.5X61.5X1.2 (Ref # 92025F)    | 92025-1675  | 1        |
| SHIM,52.5X61.5X1.3 (Ref # 92025G)    | 92025-1676  | 1        |
| SHIM,52.5X61.5X1.4 (Ref # 92025H)    | 92025-1677  | 1        |

## 1993 Bayou® 400 4x4 PARTS LIST

Drive Shaft(Rear)

| ITEM NAME                                 | PART NUMBER | QUANTITY |
|-------------------------------------------|-------------|----------|
| SHIM,35.3X46X1.00 (Ref # 92025I)          | 92025-1849  | 1        |
| SHIM,35.3X46X0.10 (Ref # 92025J)          | 92025-1850  | 1        |
| SHIM,35.3X46X0.15 (Ref # 92025K)          | 92025-1851  | 1        |
| SHIM,35.3X46X0.50 (Ref # 92025L)          | 92025-1856  | 1        |
| SHIM,35.3X46X0.80 (Ref # 92025M)          | 92025-1857  | 1        |
| CLAMP,TUBE (Ref # 92037)                  | 92037-147   | 1        |
| CLAMP (Ref # 92037A)                      | 92037-1523  | 1        |
| CLAMP (Ref # 92037B)                      | 92037-1654  | 1        |
| BEARING-BALL (Ref # 92045)                | 92045-1110  | 1        |
| BEARING-BALL,6205DDU (Ref # 92045A)       | 92045-1229  | 1        |
| BEARING-NEEDLE,NK20/16RE (Ref # 92046)    | 92046-1183  | 1        |
| SEAL-OIL,S030428 (Ref # 92049)            | 92049-1236  | 1        |
| SEAL-OIL (Ref # 92049A)                   | 92049-1287  | 1        |
| SEAL-OIL,TC406510 (Ref # 92049B)          | 92049-1310  | 1        |
| RING-O,25.7X2.4 (Ref # 92055)             | 92055-1136  | 1        |
| RING-O (Ref # 92055A)                     | 92055-1207  | 1        |
| RING-O,164.1X2.5 (Ref # 92055B)           | 92055-1411  | 1        |
| TUBE,4.7X9.5X1240 (Ref # 92059)           | 92059-1968  | 1        |
| GASKET,10.5X16X1,DRAIN PLUG (Ref # 92065) | 92065-058   | 1        |
| PLUG (Ref # 92066)                        | 92066-1303  | 1        |
| PLUG (Ref # 92066A)                       | 92066-1305  | 1        |
| PLUG,DRAIN,10X12 (Ref # 92067)            | 92067-001   | 1        |
| DAMPER (Ref # 92075)                      | 92075-021   | 1        |
| BUSHING-METER GEAR (Ref # 92087)          | 92087-1057  | 1        |
| SPRING (Ref # 92144)                      | 92144-1278  | 1        |
| BOLT,10X22 (Ref # 92150)                  | 92150-1197  | 1        |
| CLAMP (Ref # 92170)                       | 92170-1676  | 1        |
| SHIM,52.5X61.5X0.10 (Ref # 92180)         | 92180-1115  | 1        |
| BOLT-FLANGED,8X30 (Ref # 130)             | 130P0830    | 1        |

## 1993 Bayou® 400 4x4 PARTS LIST

Drive Shaft(Rear)

| ITEM NAME                           | PART NUMBER | QUANTITY |
|-------------------------------------|-------------|----------|
| BOLT-FLANGED (Ref # 130A)           | 130P1035    | 1        |
| BOLT-UPSET-WS-SMALL (Ref # 183)     | 183H0814    | 1        |
| SCREW-PAN-CROS (Ref # 220)          | 220X0614    | 1        |
| SCREW-SET-SOCKET (Ref # 290)        | 290Q0612    | 1        |
| WASHER-PLAIN-SMALL,5MM (Ref # 410)  | 410B0500    | 1        |
| WASHER-PLAIN-SMALL,6MM (Ref # 410A) | 410B0600    | 1        |
| CIRCLIP (Ref # 481)                 | 481J5200    | 1        |
| PIN-SPRING (Ref # 555)              | 555A0422    | 1        |
| BEARING-BALL (Ref # 601)            | 601B6007    | 1        |
| O RING,9MM (Ref # 670)              | 670B1509    | 1        |
| O RING,12MM (Ref # 670A)            | 670B2012    | 1        |