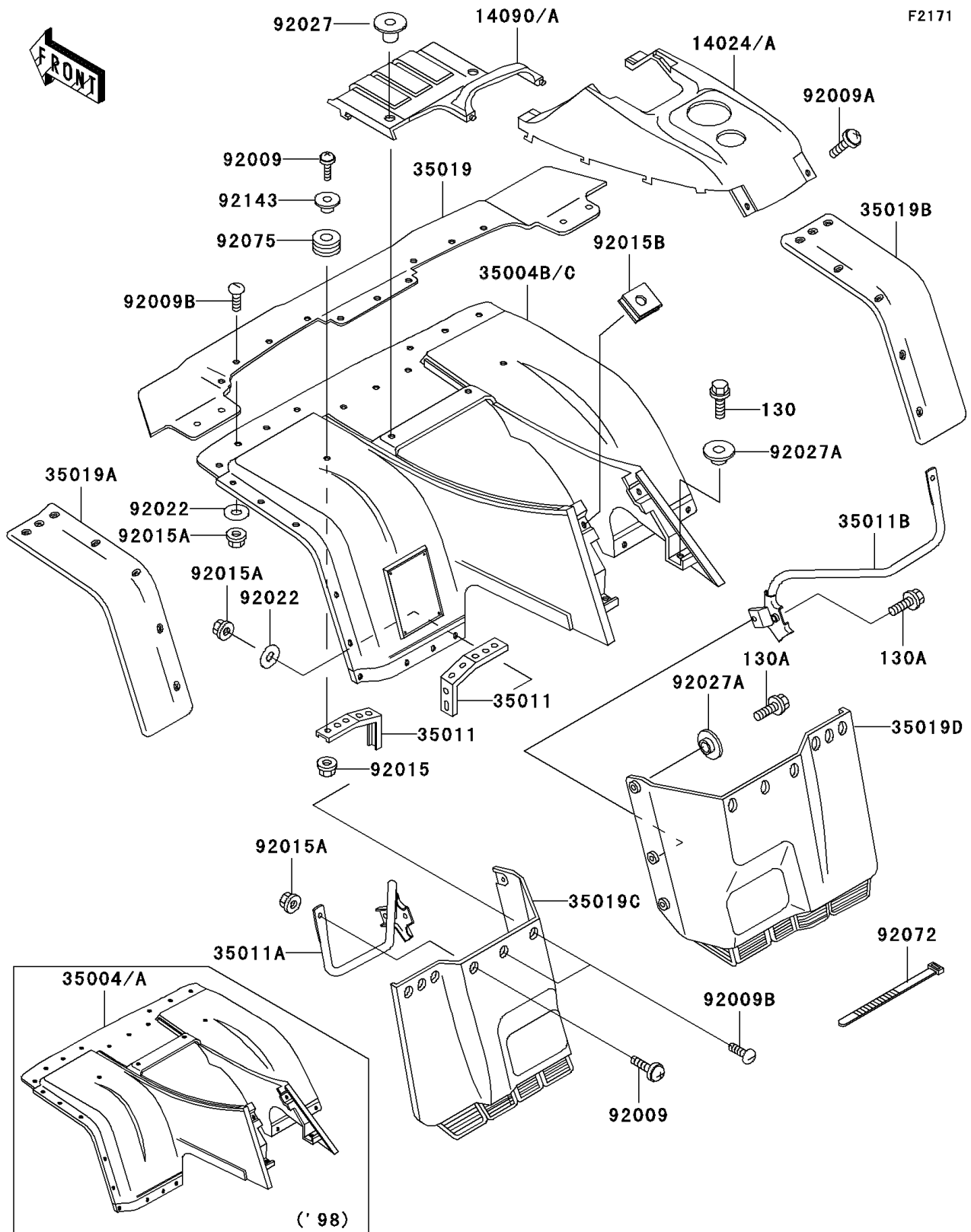


1998 Bayou® 300 4x4 PARTS DIAGRAM

Front Fender(s)



1998 Bayou® 300 4x4 PARTS LIST

Front Fender(s)

ITEM NAME	PART NUMBER	QUANTITY
BOLT-FLANGED,6X16 (Ref # 130)	130C0616	1
BOLT-FLANGED,6X18 (Ref # 130A)	130J0618	1
COVER,FRONT FENDER,RR,H.GREEN (Ref # 14024)	14024-1657-6A	1
COVER,FRONT FENDER,RR,F.RED (Ref # 14024A)	14024-1657-6L	1
COVER,FRONT FENDER,FR,H.GREEN (Ref # 14090)	14090-1656-6A	1
COVER,FRONT FENDER,FR,F.RED (Ref # 14090A)	14090-1656-6L	1
FENDER-FRONT,H.GREEN (Ref # 35004)	35004-1293-6A	1
FENDER-FRONT,F.RED (Ref # 35004A)	35004-1293-6L	1
STAY,FRONT FENDER,UPP (Ref # 35011)	35011-1420	1
STAY,FR FENDER,LH,LWR FLAP (Ref # 35011A)	35011-1600	1
STAY,FR FENDER,RH,LWR FLAP (Ref # 35011B)	35011-1601	1
FLAP,FR,BLACK (Ref # 35019)	35019-1291-6Z	1
FLAP,FR,SIDE,LH,BLACK (Ref # 35019A)	35019-1292-6Z	1
FLAP,FR,SIDE,RH,BLACK (Ref # 35019B)	35019-1293-6Z	1
FLAP,FR,LWR,LH,BLACK (Ref # 35019C)	35019-1294-6Z	1
FLAP,FR,LWR,RH,BLACK (Ref # 35019D)	35019-1295-6Z	1
SCREW,6X22,BLACK (Ref # 92009)	92009-1256	1
SCREW,6X14 (Ref # 92009A)	92009-1288	1
SCREW,6X16 (Ref # 92009B)	92009-1621	1
NUT,FLANGED,6MM,BLACK (Ref # 92015)	92015-1233	1
NUT,LOCK,FLANGED,6MM (Ref # 92015A)	92015-1675	1
NUT,CLAMP,6MM (Ref # 92015B)	92015-1678	1
WASHER,6.5X16X1.0 (Ref # 92022)	92022-1093	1
COLLAR,L=14 (Ref # 92027)	92027-1134	1
COLLAR,L=4.7 (Ref # 92027A)	92027-1964	1
BAND,L=149 (Ref # 92072)	92072-031	1
DAMPER,CASE (Ref # 92075)	92075-222	1
COLLAR,L=9.6 (Ref # 92143)	92143-1016	1