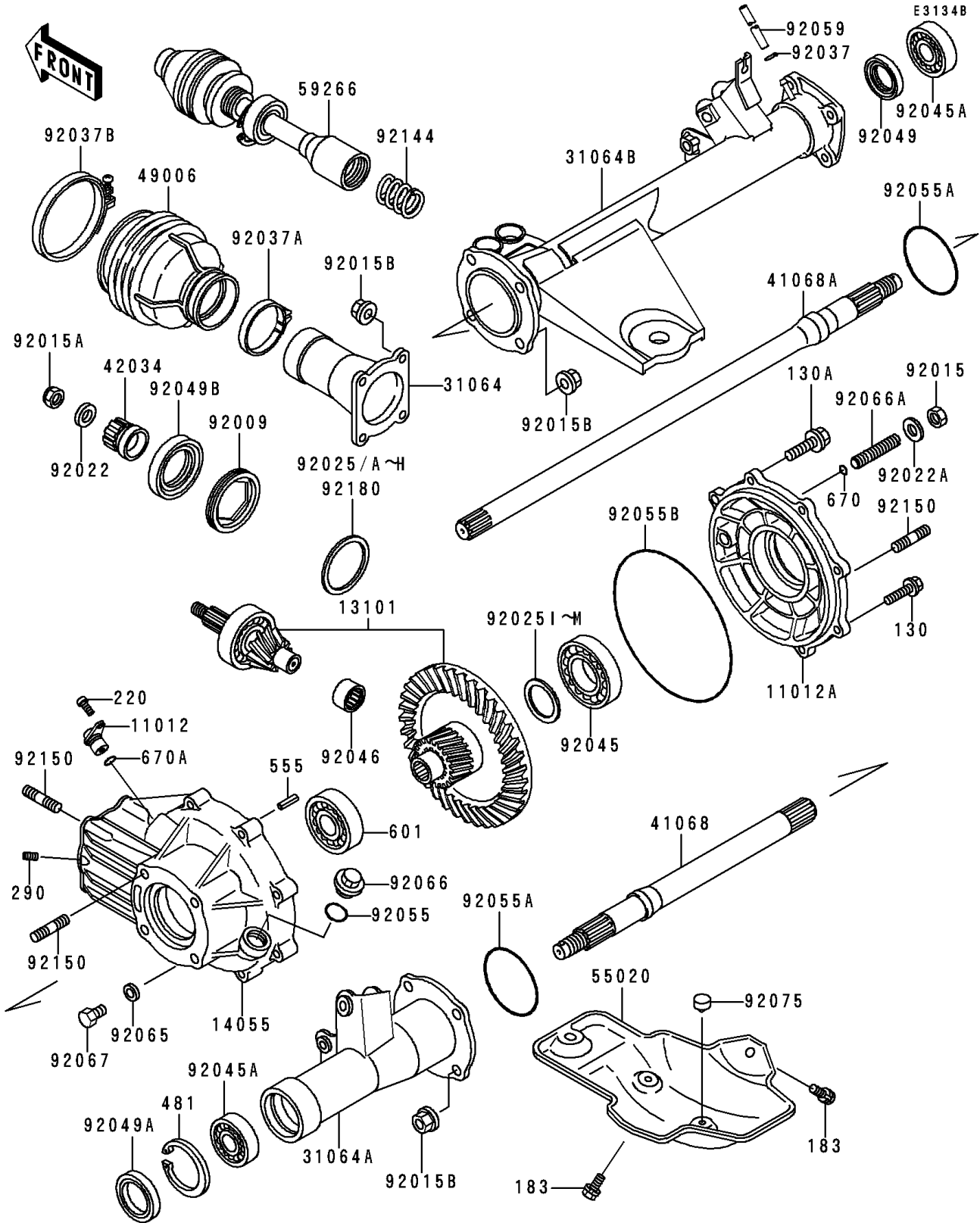


1989 Bayou® 300 4x4 PARTS DIAGRAM

Drive Shaft(Rear)



1989 Bayou® 300 4x4 PARTS LIST

Drive Shaft(Rear)

| ITEM NAME | PART NUMBER | QUANTITY |
|------------------------------------|-------------|----------|
| CAP,METER GEAR (Ref # 11012) | 11012-1650 | 1 |
| CAP,GEAR CASE (Ref # 11012A) | 11012-1651 | 1 |
| GEAR-ASSY,BEVEL (Ref # 13101) | 13101-5084 | 1 |
| CASE-GEAR,RR (Ref # 14055) | 14055-1089 | 1 |
| PIPE-COMP (Ref # 31064) | 31064-1097 | 1 |
| PIPE-COMP,LH (Ref # 31064A) | 31064-1098 | 1 |
| PIPE-COMP,RH (Ref # 31064B) | 31064-1099 | 1 |
| AXLE,LH (Ref # 41068) | 41068-1347 | 1 |
| AXLE,RH (Ref # 41068A) | 41068-1348 | 1 |
| COUPLING (Ref # 42034) | 42034-1104 | 1 |
| BOOT,DRIVE SHAFT (Ref # 49006) | 49006-1237 | 1 |
| GUARD,ENGINE (Ref # 55020) | 55020-1306 | 1 |
| JOINT-BALL (Ref # 59266) | 59266-1099 | 1 |
| SCREW (Ref # 92009) | 92009-1528 | 1 |
| NUT,12MM (Ref # 92015) | 92015-006 | 1 |
| NUT,12MM (Ref # 92015A) | 92015-1182 | 1 |
| NUT,FLANGED,10MM (Ref # 92015B) | 92015-1335 | 1 |
| WASHER,12.3X25X3.2 (Ref # 92022) | 92022-1293 | 1 |
| WASHER,12MM (Ref # 92022A) | 92022-1538 | 1 |
| SHIM,52.5X61.5X0.15 (Ref # 92025) | 92025-1669 | 1 |
| SHIM,52.5X61.5X0.18 (Ref # 92025A) | 92025-1670 | 1 |
| SHIM,52.5X61.5X0.8 (Ref # 92025B) | 92025-1671 | 1 |
| SHIM,52.5X61.5X0.9 (Ref # 92025C) | 92025-1672 | 1 |
| SHIM,52.5X61.5X1.0 (Ref # 92025D) | 92025-1673 | 1 |
| SHIM,52.5X61.5X1.1 (Ref # 92025E) | 92025-1674 | 1 |
| SHIM,52.5X61.5X1.2 (Ref # 92025F) | 92025-1675 | 1 |
| SHIM,52.5X61.5X1.3 (Ref # 92025G) | 92025-1676 | 1 |
| SHIM,52.5X61.5X1.4 (Ref # 92025H) | 92025-1677 | 1 |
| SHIM,35.3X46X1.00 (Ref # 92025I) | 92025-1849 | 1 |

1989 Bayou® 300 4x4 PARTS LIST

Drive Shaft(Rear)

| ITEM NAME | PART NUMBER | QUANTITY |
|---|-------------|----------|
| SHIM,35.3X46X0.10 (Ref # 92025J) | 92025-1850 | 1 |
| SHIM,35.3X46X0.15 (Ref # 92025K) | 92025-1851 | 1 |
| SHIM,35.3X46X0.50 (Ref # 92025L) | 92025-1856 | 1 |
| SHIM,35.3X46X0.80 (Ref # 92025M) | 92025-1857 | 1 |
| CLAMP,TUBE (Ref # 92037) | 92037-147 | 1 |
| CLAMP (Ref # 92037A) | 92037-1523 | 1 |
| CLAMP (Ref # 92037B) | 92037-1654 | 1 |
| BEARING-BALL (Ref # 92045) | 92045-1110 | 1 |
| BEARING-BALL,6205DDU (Ref # 92045A) | 92045-1229 | 1 |
| BEARING-NEEDLE,NK20/16RE (Ref # 92046) | 92046-1183 | 1 |
| SEAL-OIL,S030428 (Ref # 92049) | 92049-1236 | 1 |
| BOLT-FLANGED,8X30 (Ref # 130) | 130P0830 | 1 |
| BOLT-FLANGED (Ref # 130A) | 130P1035 | 1 |
| BOLT-UPSET-WS-SMALL (Ref # 183) | 183H0814 | 1 |
| SCREW-PAN-CROS (Ref # 220) | 220X0614 | 1 |
| SCREW-SET-SOCKET (Ref # 290) | 290Q0612 | 1 |
| CIRCLIP (Ref # 481) | 481J5200 | 1 |
| PIN-SPRING (Ref # 555) | 555A0422 | 1 |
| BEARING-BALL (Ref # 601) | 601B6007 | 1 |
| O RING,9MM (Ref # 670) | 670B1509 | 1 |
| O RING,12MM (Ref # 670A) | 670B2012 | 1 |
| SEAL-OIL (Ref # 92049A) | 92049-1287 | 1 |
| SEAL-OIL,TC406510 (Ref # 92049B) | 92049-1310 | 1 |
| RING-O,25.7X2.4 (Ref # 92055) | 92055-1136 | 1 |
| RING-O (Ref # 92055A) | 92055-1207 | 1 |
| RING-O,164.1X2.5 (Ref # 92055B) | 92055-1411 | 1 |
| TUBE,4.7X9.5X1240 (Ref # 92059) | 92059-1968 | 1 |
| GASKET,10.5X16X1,DRAIN PLUG (Ref # 92065) | 92065-058 | 1 |
| PLUG (Ref # 92066) | 92066-1303 | 1 |

1989 Bayou® 300 4x4 PARTS LIST

Drive Shaft(Rear)

| ITEM NAME | PART NUMBER | QUANTITY |
|-----------------------------------|-------------|----------|
| PLUG (Ref # 92066A) | 92066-1305 | 1 |
| PLUG,DRAIN,10X12 (Ref # 92067) | 92067-001 | 1 |
| DAMPER (Ref # 92075) | 92075-021 | 1 |
| SPRING (Ref # 92144) | 92144-1278 | 1 |
| BOLT,10X22 (Ref # 92150) | 92150-1197 | 1 |
| SHIM,52.5X61.5X0.10 (Ref # 92180) | 92180-1115 | 1 |