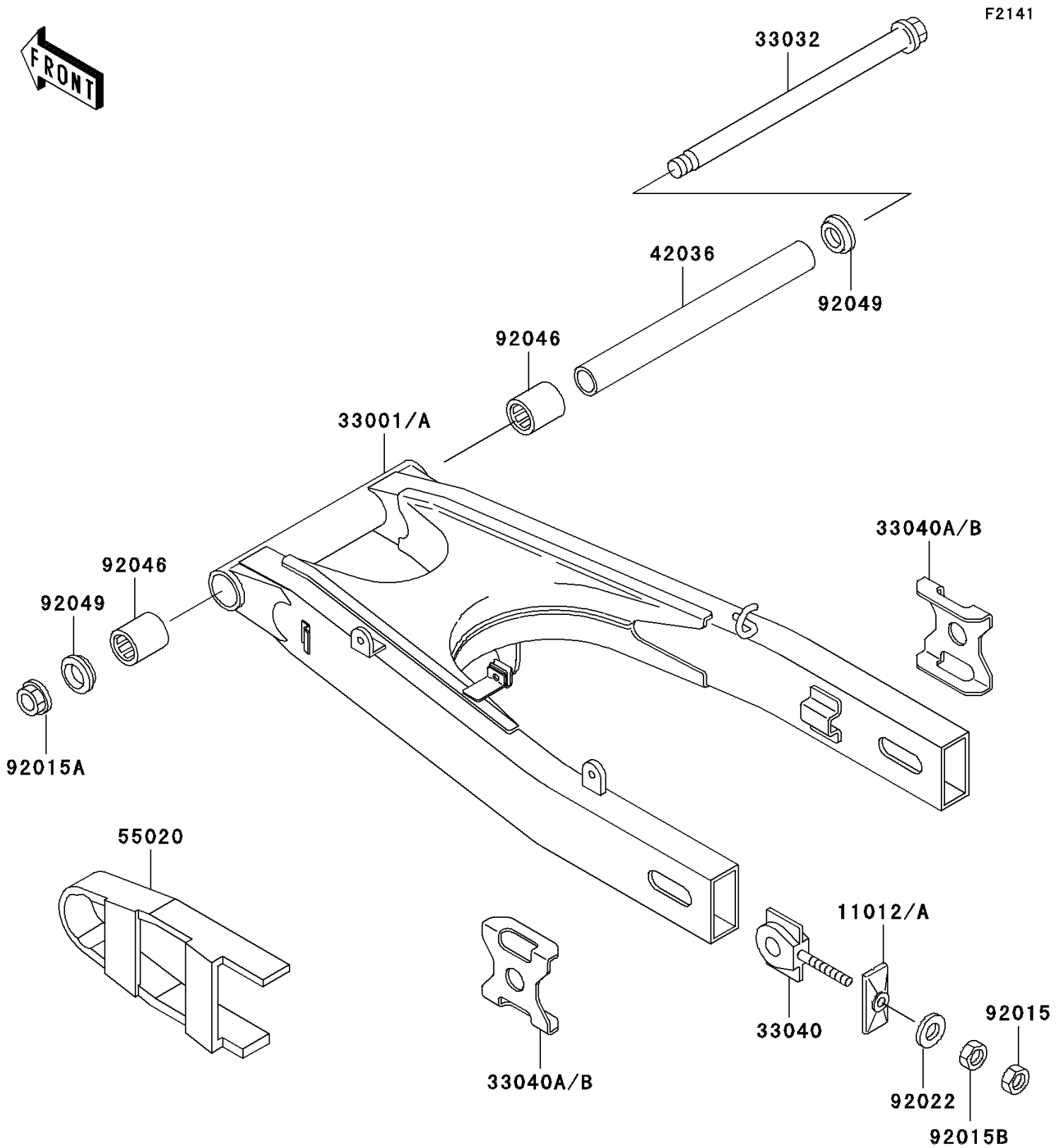


2006 NINJA® 500R PARTS DIAGRAM

Swingarm



2006 NINJA® 500R PARTS LIST

Swingarm

| ITEM NAME | PART NUMBER | QUANTITY |
|---|---------------|----------|
| CAP,CHAIN ADJUSTER,BLACK (Ref # 11012) | 11012-1871-10 | 1 |
| ARM-COMP-SWING,BLACK (Ref # 33001) | 33001-1625-10 | 1 |
| SHAFT-SWING ARM (Ref # 33032) | 33032-1109 | 1 |
| ADJUSTER-CHAIN,INNER (Ref # 33040) | 33040-1116 | 1 |
| ADJUSTER-CHAIN,OUTER,BLACK (Ref # 33040A) | 33040-1137-10 | 1 |
| SLEEVE,14.1X22X220 (Ref # 42036) | 42036-1212 | 1 |
| GUARD,CHAIN (Ref # 55020) | 55020-1500 | 1 |
| NUT,8MM (Ref # 92015) | 92015-1364 | 1 |
| NUT,14MM (Ref # 92015A) | 92015-1407 | 1 |
| NUT,8MM (Ref # 92015B) | 92015-1658 | 1 |
| WASHER,8.5X16X1.2 (Ref # 92022) | 92022-1582 | 1 |
| BEARING-NEEDLE,F-2220 (Ref # 92046) | 92046-1162 | 1 |
| SEAL-OIL,MHA22 28 5.7F (Ref # 92049) | 92049-1254 | 1 |