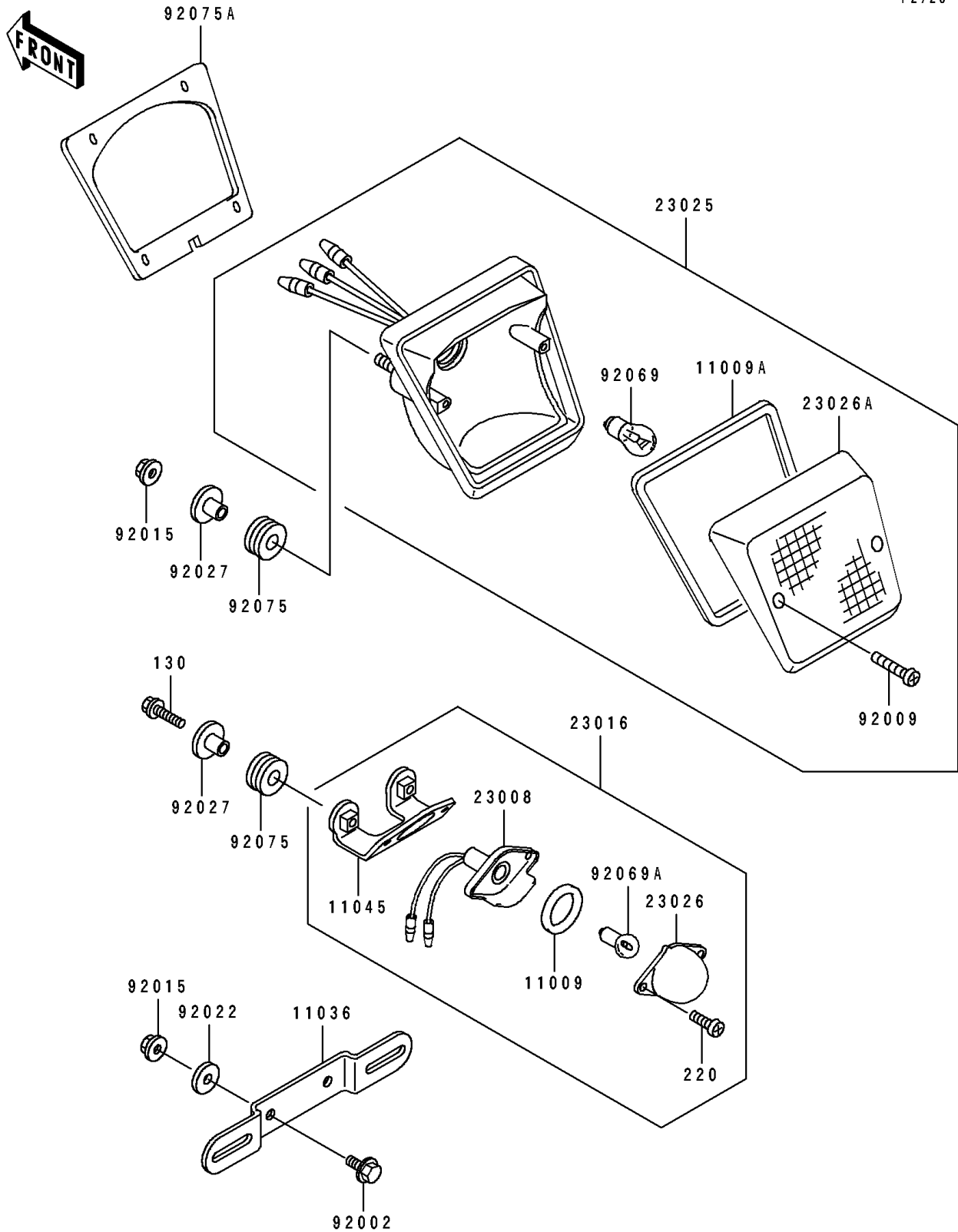


1990 Tengai™ PARTS DIAGRAM

Tail Lamp

F2720



1990 Tengai™ PARTS LIST

Tail Lamp

ITEM NAME	PART NUMBER	QUANTITY
GASKET,LICENSE PLATE LAMP (Ref # 11009)	11009-1372	1
GASKET,TAIL LAMP LENS (Ref # 11009A)	11009-1636	1
BRACKET-A,LICENSE PLATE (Ref # 11036)	11036-1040	1
BRACKET,LICENSE PLATE LAMP (Ref # 11045)	11045-1927	1
SOCKET-ASSY,LICENSE PLATE LAMP (Ref # 23008)	23008-1205	1
LAMP-ASSY,LICENSE PLATE (Ref # 23016)	23016-1086	1
LAMP-TAIL,P.WHITE (Ref # 23025)	23025-1159-6F	1
LENS,LAMP (Ref # 23026)	23026-1054	1
LENS,TAIL LAMP (Ref # 23026A)	23026-1086	1
BOLT,6X16 (Ref # 92002)	92002-1124	1
SCREW,TAPPING,4X25 (Ref # 92009)	92009-1069	1
NUT,FLANGED,6MM (Ref # 92015)	92015-1367	1
WASHER,6.5X20X1.6 (Ref # 92022)	92022-1557	1
COLLAR,L=13.1 (Ref # 92027)	92027-251	1
BULB,12V 27/8W (Ref # 92069)	92069-059	1
BULB,12V 8W (Ref # 92069A)	92069-1012	1
DAMPER (Ref # 92075)	92075-1690	1
DAMPER,TAIL LAMP (Ref # 92075A)	92075-1889	1
BOLT-FLANGED,6X25 (Ref # 130)	130H0625	1
SCREW-PAN-CROS (Ref # 220)	220B0410	1