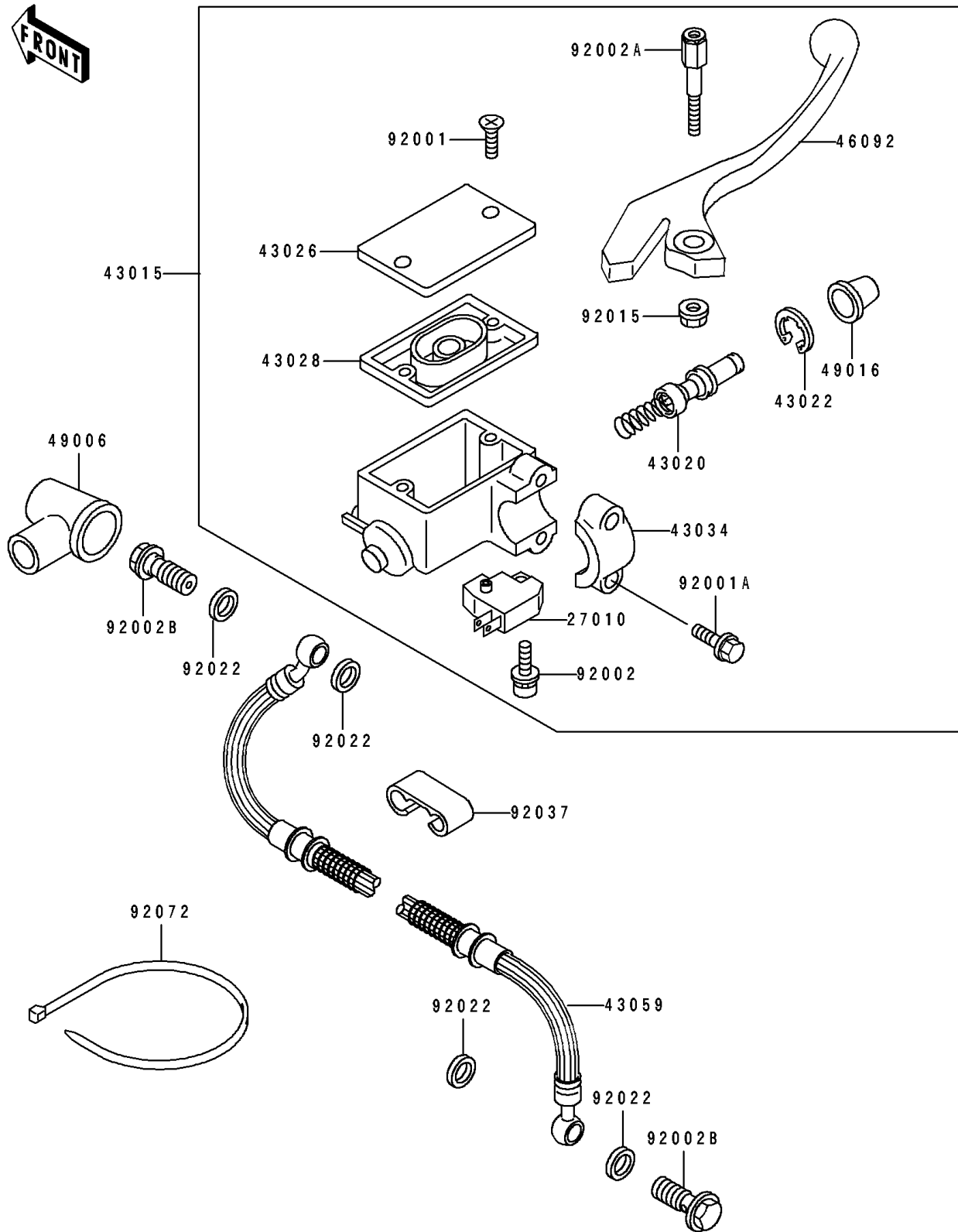


1990 Tengai™ PARTS DIAGRAM

Front Master Cylinder

F2291



1990 Tengai™ PARTS LIST

Front Master Cylinder

ITEM NAME	PART NUMBER	QUANTITY
SWITCH,BRAKE (Ref # 27010)	27010-1170	1
CYLINDER-ASSY-MASTER,FR (Ref # 43015)	43015-1413	1
PISTON-COMP-BRAKE,FR (Ref # 43020)	43020-1056	1
STOPPER-BRAKE,PISTON (Ref # 43022)	43022-1010	1
CAP-BRAKE (Ref # 43026)	43026-1022	1
DIAPHRAGM (Ref # 43028)	43028-1061	1
HOLDER-BRAKE,MASTER CYLINDER (Ref # 43034)	43034-1016	1
HOSE-BRAKE,FR (Ref # 43059)	43059-1477	1
LEVER-GRIP,FRONT BRAKE (Ref # 46092)	46092-1135	1
BOOT,DUST (Ref # 49006)	49006-1040	1
COVER-SEAL,MASTER CYLINDER (Ref # 49016)	49016-1044	1
BOLT,MASTER CYLINDER CAP (Ref # 92001)	92001-1727	1
BOLT,6X25,BLACK (Ref # 92001A)	92001-1729	1
BOLT,SCREW,4X12 (Ref # 92002)	92002-1323	1
BOLT,LEVER SET (Ref # 92002A)	92002-1879	1
BOLT,OIL,L=23 (Ref # 92002B)	92002-1888	1
NUT,FLANGED,6MM (Ref # 92015)	92015-1233	1
WASHER,10.5X15X1.5 (Ref # 92022)	43067-001	1
CLAMP,BRAKE HOSE (Ref # 92037)	92037-1529	1
BAND,L=365 (Ref # 92072)	92072-1197	1