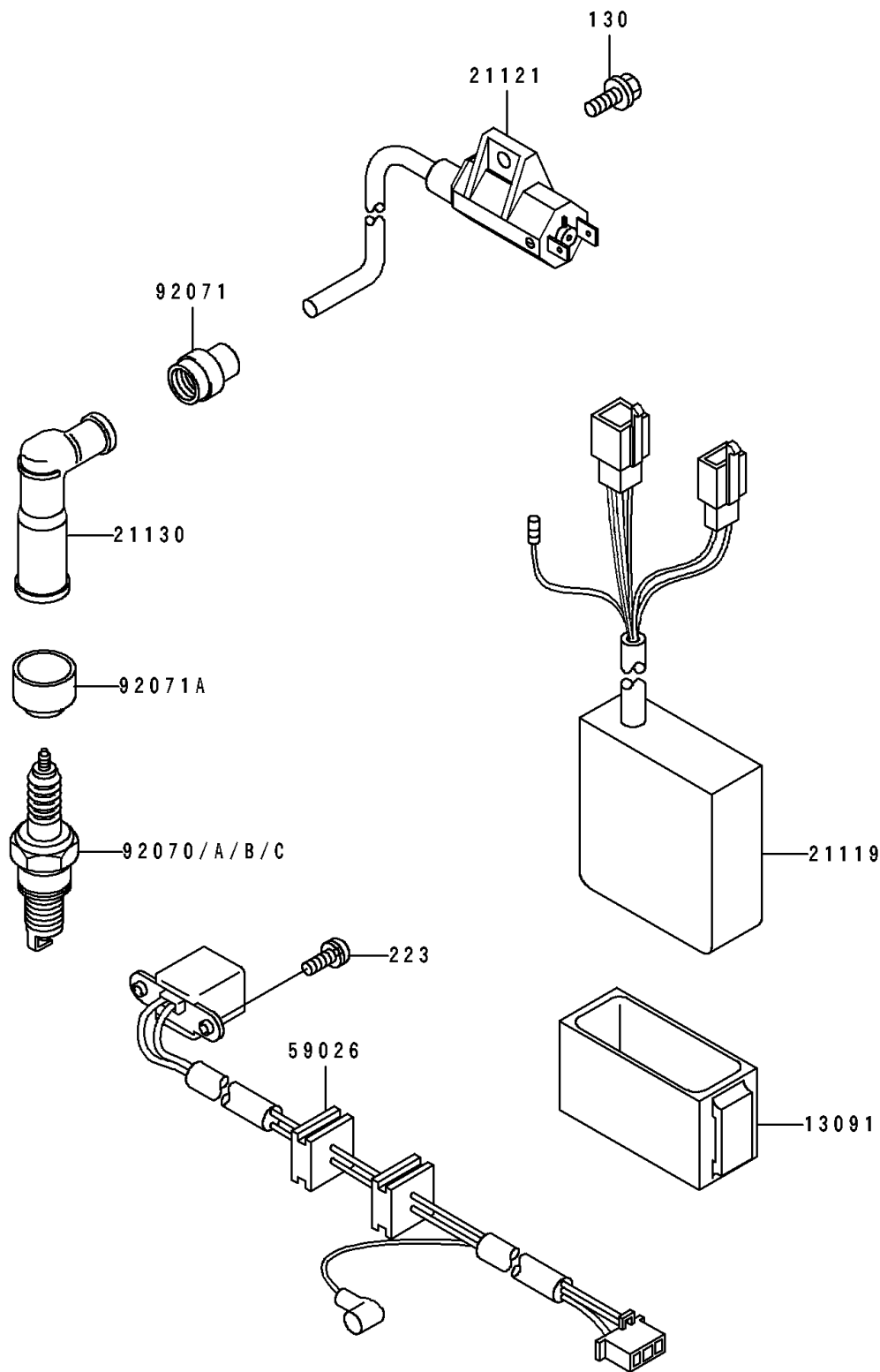


1990 Tengai™ PARTS DIAGRAM

Ignition Coil

E1830



1990 Tengai™ PARTS LIST

Ignition Coil

ITEM NAME	PART NUMBER	QUANTITY
HOLDER,IGNITER (Ref # 13091)	13091-1271	1
IGNITER (Ref # 21119)	21119-1272	1
COIL-IGNITION (Ref # 21121)	21121-1152	1
CAP-SPARK PLUG (Ref # 21130)	21130-1002	1
COIL-PULSING (Ref # 59026)	59026-1087	1
PLUG-SPARK,DPR8EA-9(NGK) (Ref # 92070)	92070-1065	1
PLUG-SPARK,DP8EA-9(NGK) (Ref # 92070A)	92070-1066	1
PLUG-SPARK,X24EPR-U9(ND) (Ref # 92070B)		2
GROMMET,HIGH TENSION (Ref # 92071)	21131-005	1
GROMMET,PLUG CAP (Ref # 92071A)	92071-1124	1
BOLT-FLANGED,6X12 (Ref # 130)	130G0612	1
SCREW-PAN-WS-CROS (Ref # 223)	223B0514	1