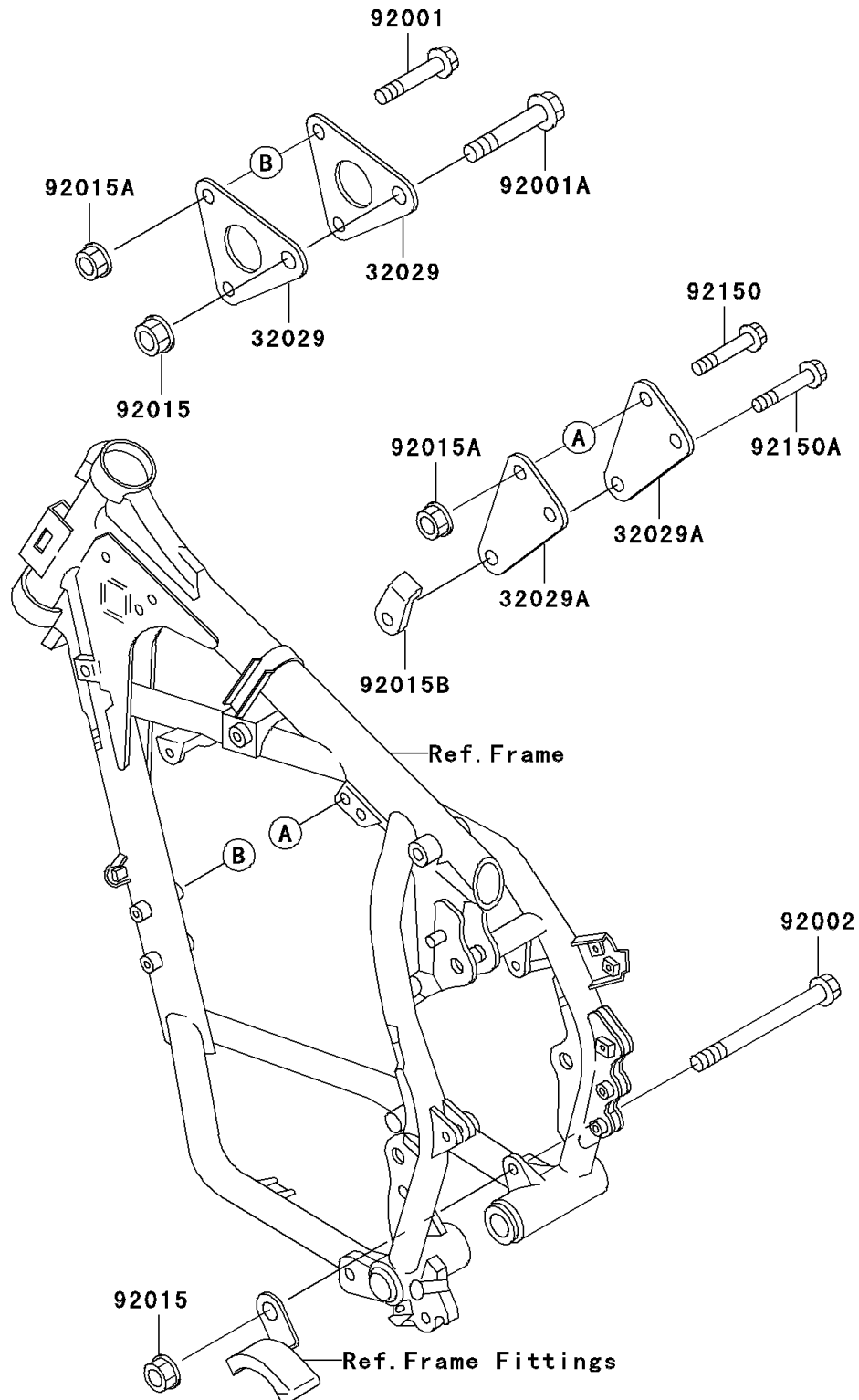


## 2006 KLR™650 PARTS DIAGRAM

Engine Mount

F2122



## 2006 KLR™650 PARTS LIST

Engine Mount

| ITEM NAME                           | PART NUMBER | QUANTITY |
|-------------------------------------|-------------|----------|
| BRACKET-ENGINE,FR (Ref # 32029)     | 32029-1805  | 1        |
| BRACKET-ENGINE (Ref # 32029A)       | 32029-1956  | 1        |
| BOLT,FLANGED,8X70 (Ref # 92001)     | 92001-1583  | 1        |
| BOLT,10X75 (Ref # 92001A)           | 92001-4021  | 1        |
| BOLT,10X145 (Ref # 92002)           | 92002-1348  | 1        |
| NUT,FLANGED,10MM (Ref # 92015)      | 92015-1415  | 1        |
| NUT,FLANGED,LOCK,8MM (Ref # 92015A) | 92015-1668  | 1        |
| NUT,PLATE,8MM (Ref # 92015B)        | 92015-1673  | 1        |
| BOLT,FLANGED,8X42 (Ref # 92150)     | 92150-1415  | 1        |
| BOLT,FLANGED,8X42 (Ref # 92150A)    | 92150-1925  | 1        |