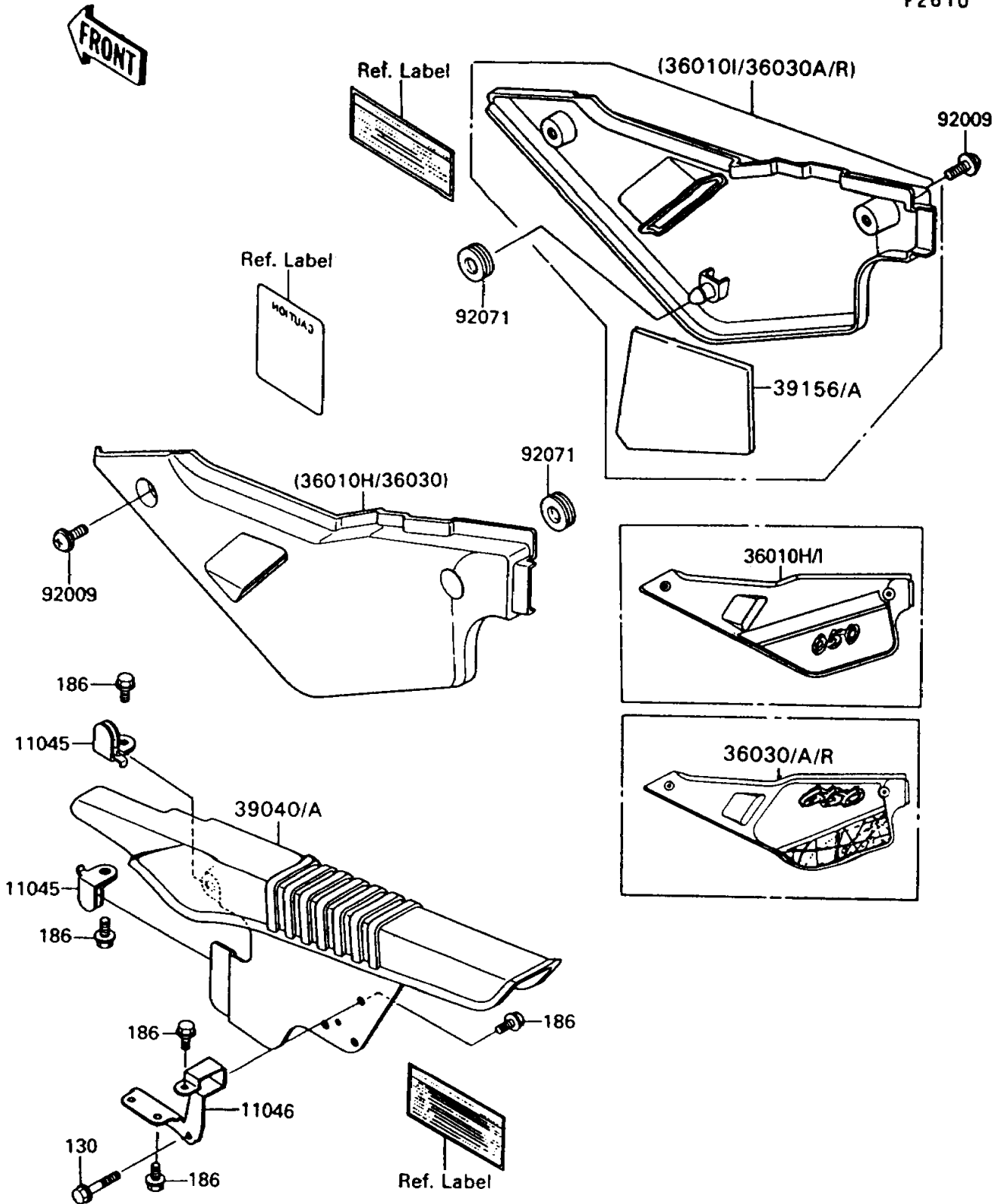


1992 KLR™650 PARTS DIAGRAM

Side Covers/Chain Cover

F2610



1992 KLR™650 PARTS LIST

Side Covers/Chain Cover

ITEM NAME	PART NUMBER	QUANTITY
BRACKET,CHAIN CASE,FR (Ref # 11045)	11045-1335	1
BRACKET,CHAIN CASE,RR (Ref # 11046)	11046-1391	1
COVER-SIDE,LH,P.WHITE (Ref # 36010H)	36010-5436-6F	1
COVER-SIDE,RH,P.WHITE (Ref # 36010I)	36010-5437-6F	1
COVER-ASSY-CHAIN CASE (Ref # 39040)	39040-1056	1
PAD,SIDE COVER (Ref # 39156)	39156-1073	1
SCREW,6X10,WHITE (Ref # 92009)	92009-1286	1
GROMMET (Ref # 92071)	92071-056	1
BOLT-FLANGED (Ref # 130)	130H0640	1
BOLT-UPSET-WP (Ref # 186)	186C0612	1