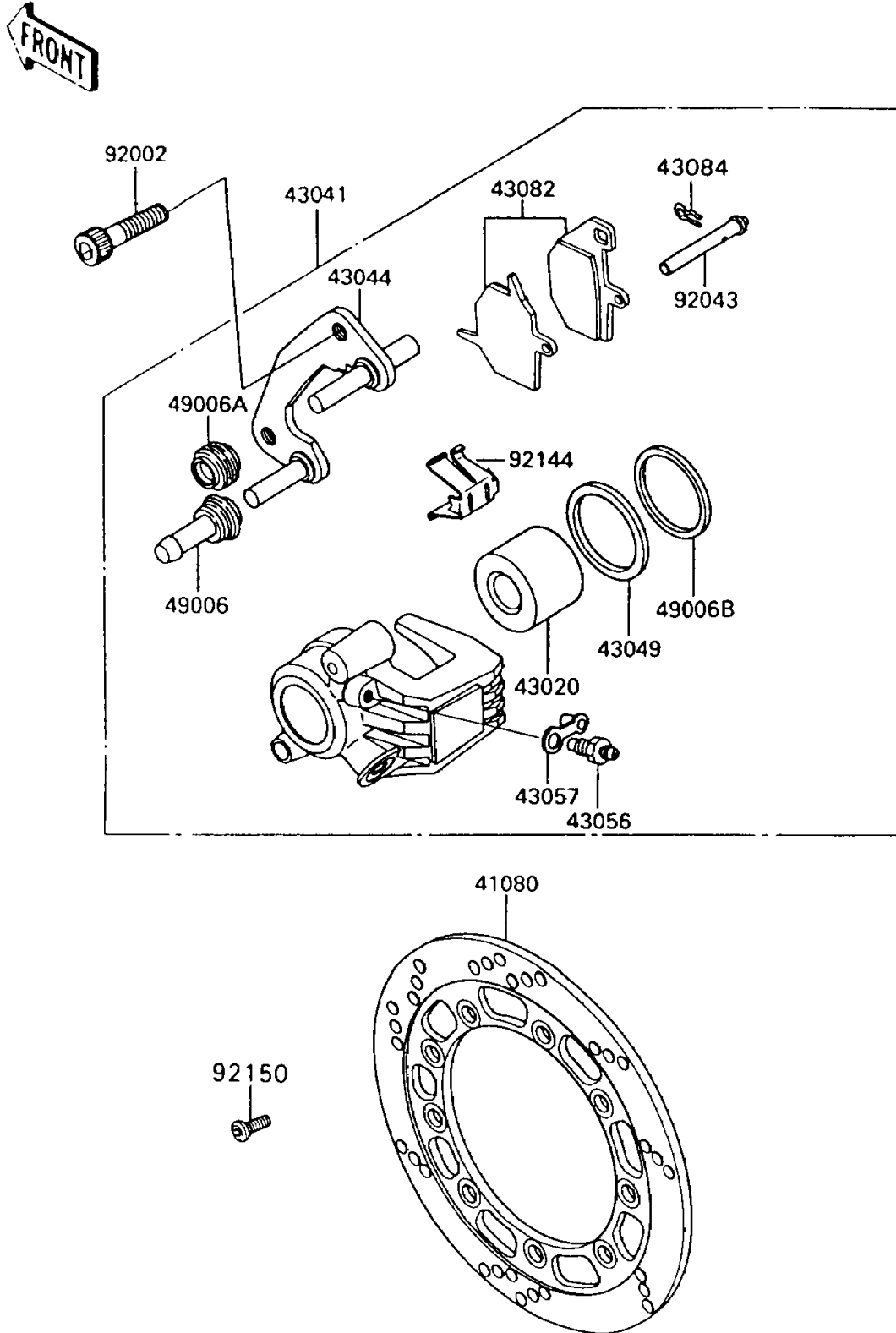


1992 KLR™650 PARTS DIAGRAM

Front Brake

F2292



1992 KLR™650 PARTS LIST

Front Brake

ITEM NAME	PART NUMBER	QUANTITY
DISC,FR (Ref # 41080)	41080-1178	1
PISTON-COMP-BRAKE (Ref # 43020)	43020-1097	1
CALIPER-ASSY,FR,LH (Ref # 43041)	43041-1377	1
HOLDER-COMP-CALIPER,FR,LH (Ref # 43044)	43044-1074	1
PACKING,PISTON SEAL (Ref # 43049)	43049-001	1
BREATHER-BRAKE (Ref # 43056)	43056-1054	1
CAP-BREATHER (Ref # 43057)	43057-003	1
PAD-ASSY-BRAKE (Ref # 43082)	43082-1078	1
CLAMP,PAD (Ref # 43084)	43084-003	1
BOOT,CALIPER (Ref # 49006)	49006-1054	1
BOOT,CALIPER (Ref # 49006A)	49006-1055	1
BOOT,PISTON SEAL (Ref # 49006B)	49006-1212	1
BOLT,SOCKET,8X25 (Ref # 92002)	92002-1442	1
PIN,PAD (Ref # 92043)	92043-1356	1
SPRING,PAD (Ref # 92144)	92144-1117	1
BOLT,DISC PLATE,8X15 (Ref # 92150)	92150-1852	1