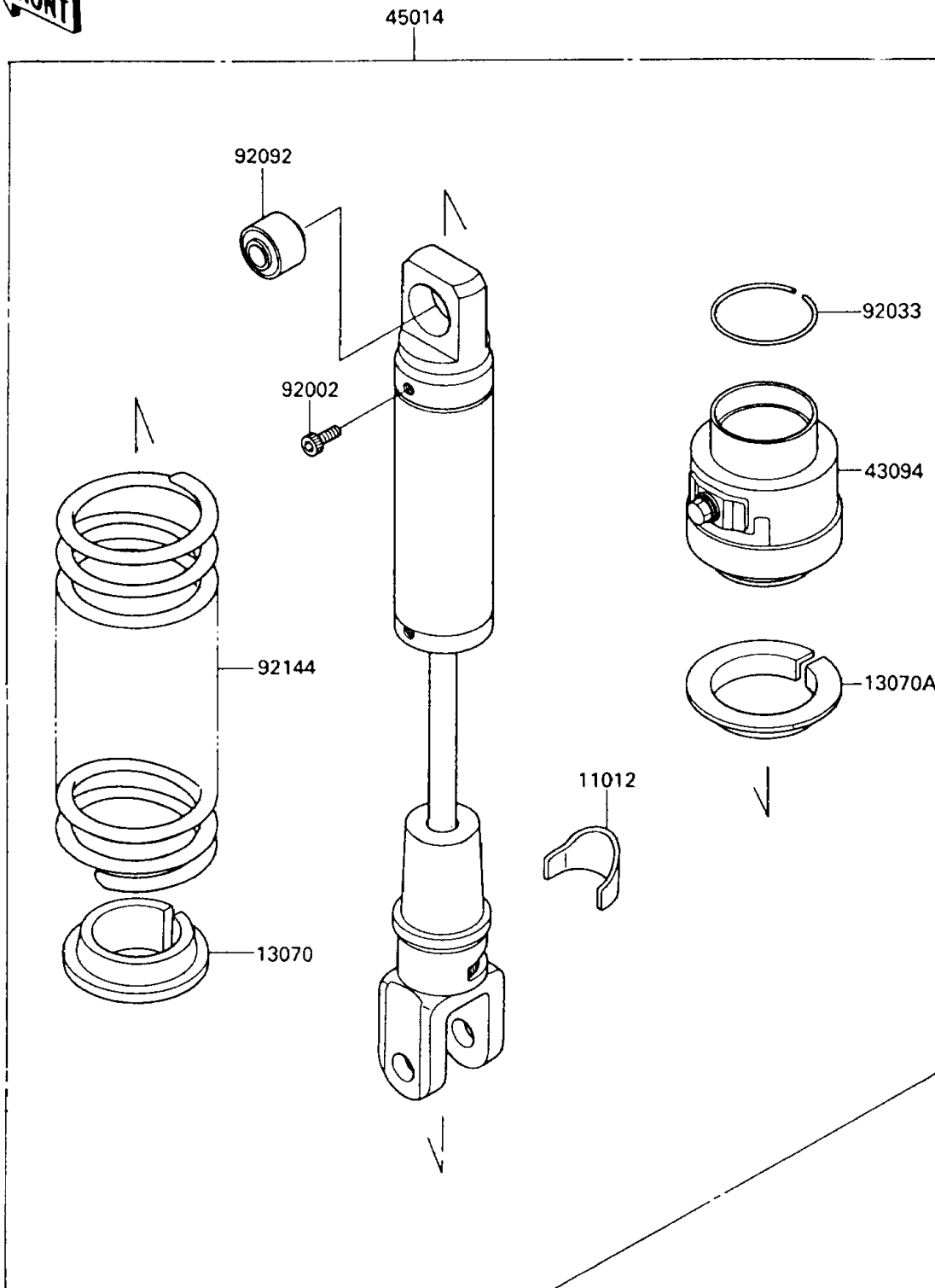


1992 KLR™650 PARTS DIAGRAM

Shock Absorber(s)

F2280



1992 KLR™650 PARTS LIST

Shock Absorber(s)

ITEM NAME	PART NUMBER	QUANTITY
CAP,SHOCKABSORBER (Ref # 11012)	11012-1398	1
GUIDE,SPRING (Ref # 13070)	13070-1075	1
GUIDE,SPRING (Ref # 13070A)	13070-1177	1
ADJUSTER,SHOCKABSORBER (Ref # 43094)	43094-1052	1
SHOCKABSORBER (Ref # 45014)	45014-1362	1
BOLT,SOCKET,5X8 (Ref # 92002)	92002-1963	1
RING-SNAP (Ref # 92033)	92033-1233	1
BUSHING-RUBBER (Ref # 92092)	92092-1063	1
SPRING,SHOCKABSORBER (Ref # 92144)	92144-1158	1