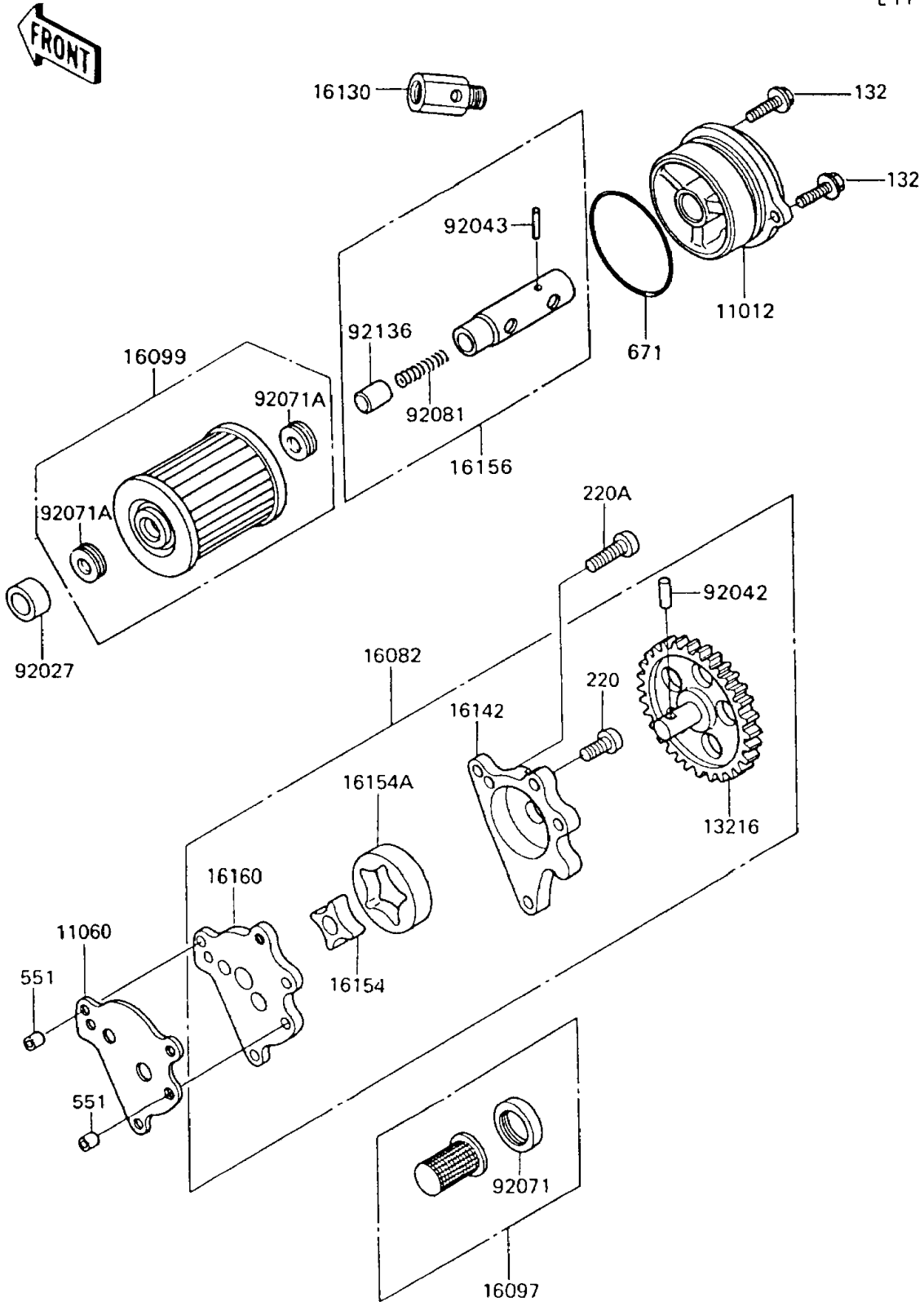


## 1992 KLR™650 PARTS DIAGRAM

Oil Pump

E1710



## 1992 KLR™650 PARTS LIST

### Oil Pump

| ITEM NAME                               | PART NUMBER | QUANTITY |
|---|-------------|----------|
| CAP,OIL FILTER (Ref # 11012)            | 11012-1538  | 1        |
| GASKET,OIL PUMP (Ref # 11060)           | 11060-1115  | 1        |
| GEAR-COMP,OIL PUMP (Ref # 13216)        | 13216-1110  | 1        |
| PUMP-ASSY-OIL (Ref # 16082)             | 16082-1088  | 1        |
| FILTER-ASSY-OIL (Ref # 16097)           | 16097-1001  | 1        |
| ELEMENT-OIL FILTER (Ref # 16099)        | 16099-004   | 1        |
| VALVE-ASSY-RELIEF (Ref # 16130)         | 16130-1001  | 1        |
| COVER-PUMP (Ref # 16142)                | 16142-1078  | 1        |
| ROTOR-PUMP,INNER (Ref # 16154)          | 16154-1069  | 1        |
| ROTOR-PUMP,OUTER (Ref # 16154A)         | 16154-1070  | 1        |
| PISTON-ASSY,VALVE,BY-PASS (Ref # 16156) | 16156-002   | 1        |
| BODY (Ref # 16160)                      | 16160-1137  | 1        |
| COLLAR,13X20X9 (Ref # 92027)            | 92027-1695  | 1        |
| PIN,DOWEL,4X12.8 (Ref # 92042)          | 92042-041   | 1        |
| PIN,SPRING,2.2X13.5 (Ref # 92043)       | 92043-123   | 1        |
| GROMMET,OIL STRAINER (Ref # 92071)      | 92071-100   | 1        |
| GROMMET,OIL FILTER (Ref # 92071A)       | 92071-101   | 1        |
| SPRING,PISTON (Ref # 92081)             | 92081-043   | 1        |
| VALVE (Ref # 92136)                     | 92136-002   | 1        |
| BOLT-FLANGED-SMALL (Ref # 132)          | 132J0620    | 1        |
| SCREW-PAN-CROS,6X16 (Ref # 220)         | 220B0616    | 1        |
| SCREW-PAN-CROS,6X25 (Ref # 220A)        | 220B0625    | 1        |
| PIN-DOWEL,6X8 (Ref # 551)               | 551A0608    | 1        |
| O RING,55MM (Ref # 671)                 | 671B2555    | 1        |