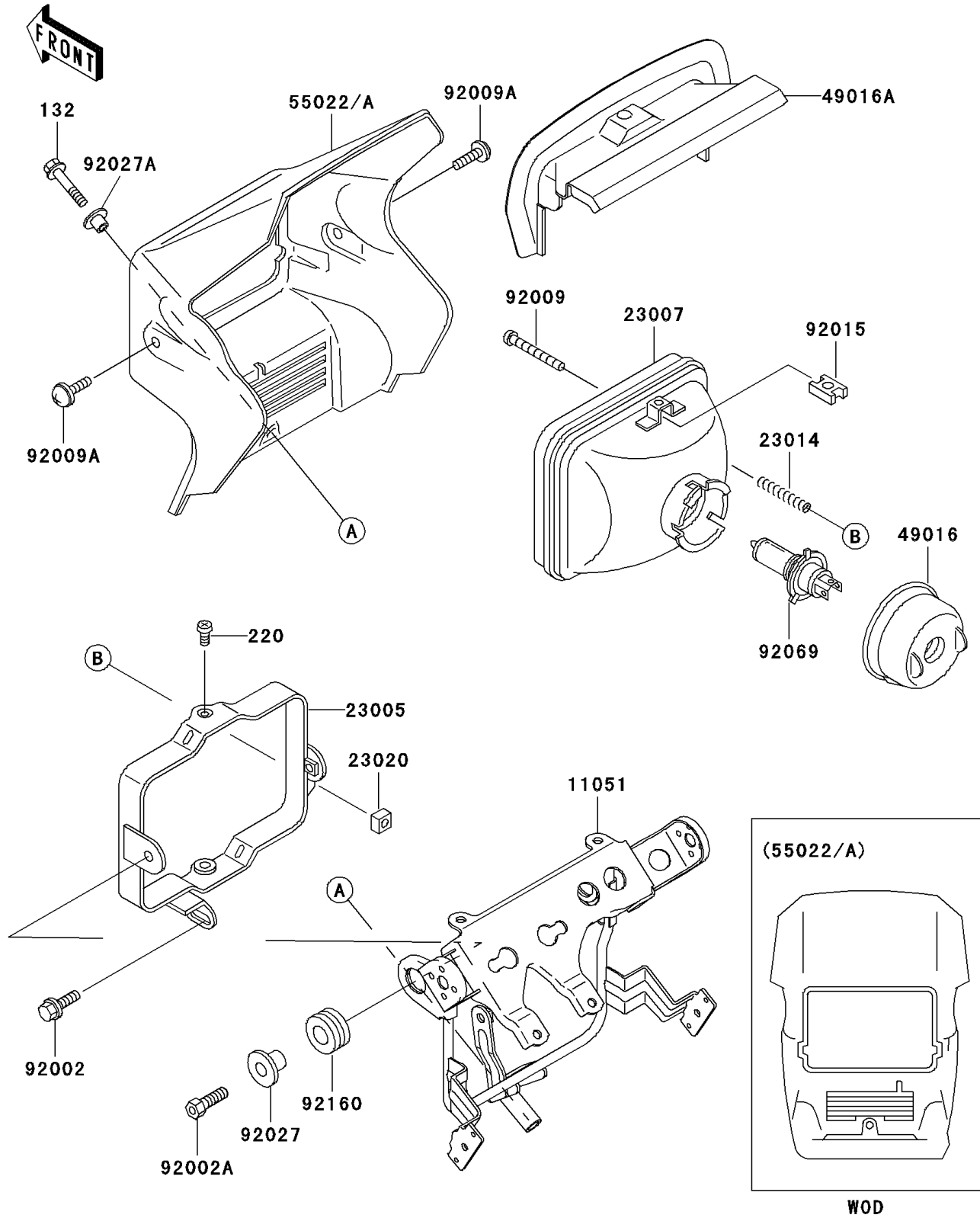


## 2000 Super Sherpa® PARTS DIAGRAM

Headlight(s)

F2710



## 2000 Super Sherpa® PARTS LIST

Headlight(s)

| ITEM NAME                              | PART NUMBER   | QUANTITY |
|--|---------------|----------|
| BOLT-FLANGED-SMALL (Ref # 132)         | 132E0645      | 1        |
| SCREW-PAN-CROS,5X8 (Ref # 220)         | 220B0508      | 1        |
| BRACKET,HEAD LAMP (Ref # 11051)        | 11051-1320    | 1        |
| BODY-COMP-HEAD LAMP (Ref # 23005)      | 23005-1052    | 1        |
| LENS-COMP,HEAD LAMP (Ref # 23007)      | 23007-1364    | 1        |
| SPRING,FOCUS ADJUSTING (Ref # 23014)   | 23014-005     | 1        |
| NUT,4MM,FOCUS ADJUST (Ref # 23020)     | 23020-018     | 1        |
| COVER-SEAL,SOCKET (Ref # 49016)        | 49016-1037    | 1        |
| COVER-SEAL,HEAD LAMP (Ref # 49016A)    | 49016-1204    | 1        |
| COVER-HEAD LAMP,O.GREEN (Ref # 55022A) | 55022-1085-68 | 1        |
| BOLT,6X16 (Ref # 92002)                | 92002-1124    | 1        |
| BOLT (Ref # 92002A)                    | 92002-1319    | 1        |
| SCREW,4X48 (Ref # 92009)               | 92009-1065    | 1        |
| SCREW,6X8 (Ref # 92009A)               | 92009-1294    | 1        |
| NUT,5MM (Ref # 92015)                  | 92015-1354    | 1        |
| COLLAR,L=14 (Ref # 92027)              | 92027-1134    | 1        |
| COLLAR,L=4.6 (Ref # 92027A)            | 92027-1168    | 1        |
| BULB,12V 60/55W,H4 (Ref # 92069)       | 92069-1002    | 1        |
| DAMPER (Ref # 92160)                   | 92160-1007    | 1        |