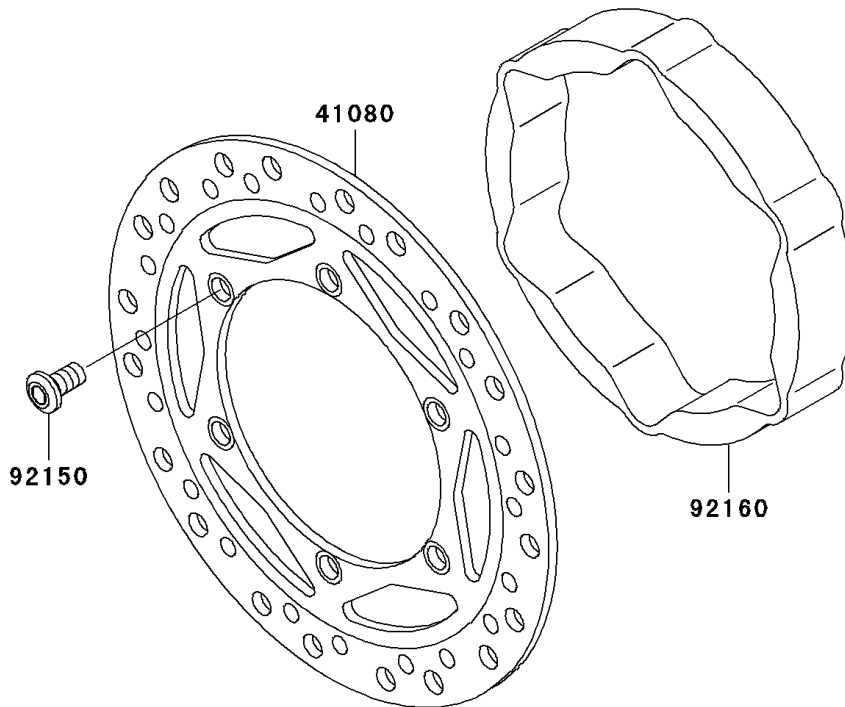
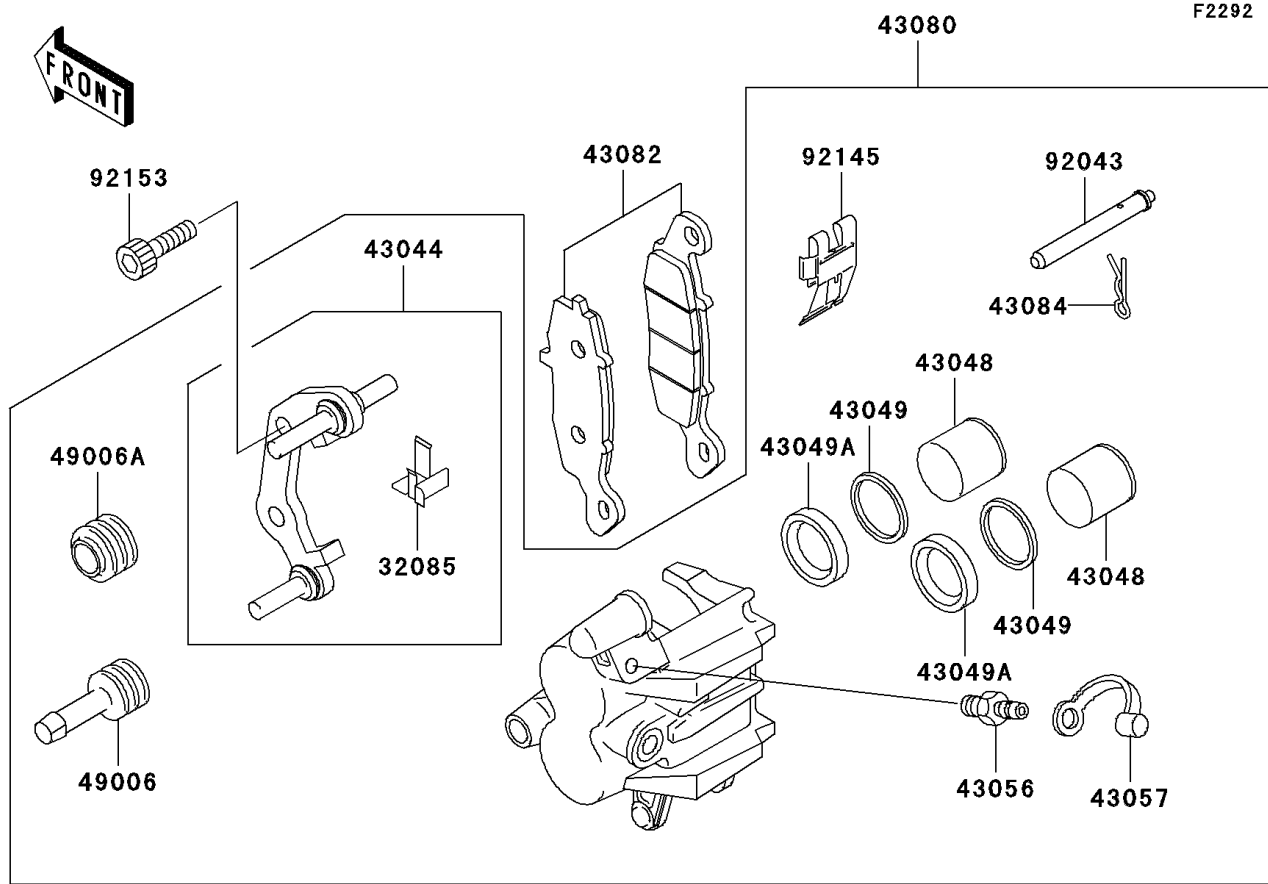


2000 Super Sherpa® PARTS DIAGRAM

Front Brake



2000 Super Sherpa® PARTS LIST

Front Brake

ITEM NAME	PART NUMBER	QUANTITY
STOPPER (Ref # 32085)	32085-1437	1
DISC,FR (Ref # 41080)	41080-1435	1
HOLDER-COMP-CALIPER,FR (Ref # 43044)	43044-1119	1
PISTON-CALIPER (Ref # 43048)	43048-1083	1
PACKING,PISTON (Ref # 43049)	43049-1059	1
PACKING,PISTON SEAL (Ref # 43049A)	43049-1090	1
BREATHER-BRAKE (Ref # 43056)	43056-1054	1
CAP-BREATHER (Ref # 43057)	43057-003	1
CALIPER-SUB-ASSY,FR,LH,SILVER (Ref # 43080)	43080-5032-GN	1
PAD-ASSY-BRAKE (Ref # 43082)	43082-1206	1
CLAMP,PAD (Ref # 43084)	43084-003	1
BOOT,CALIPER (Ref # 49006)	49006-1054	1
BOOT,CALIPER (Ref # 49006A)	49006-1055	1
PIN,PAD (Ref # 92043)	92043-1356	1
SPRING,PAD (Ref # 92145)	92145-1260	1
BOLT,DISC PLATE,8X15 (Ref # 92150)	92150-1852	1
BOLT,SOCKET,8X30 (Ref # 92153)	92153-0513	1
DAMPER,DISC PLATE (Ref # 92160)	92160-1876	1