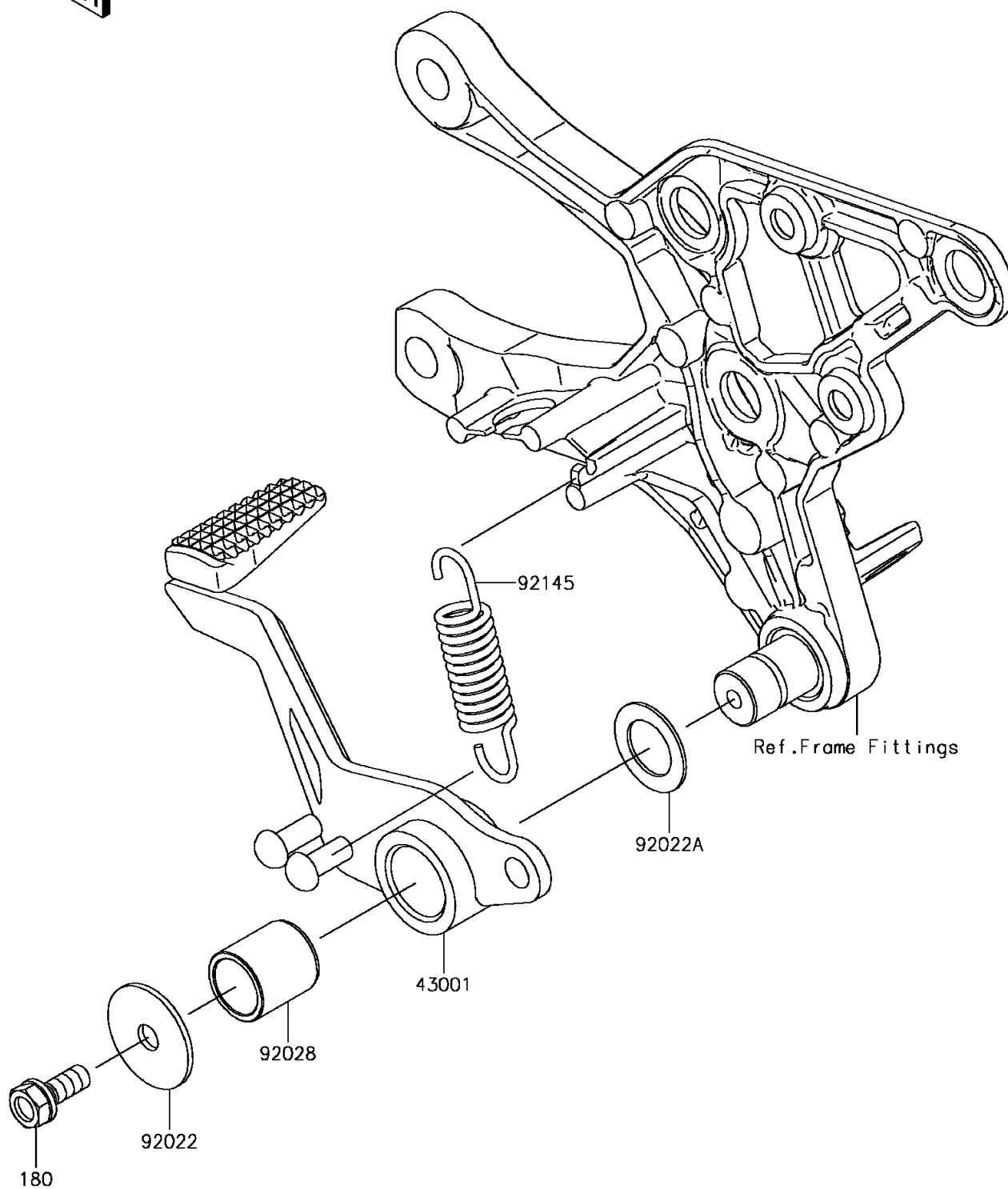


2017 PARTS DIAGRAM

Brake Pedal/Torque Link

F2260



2017 PARTS LIST

Brake Pedal/Torque Link

ITEM NAME	PART NUMBER	QUANTITY
BOLT-UPSET-WS,6X16 (Ref # 180)	180AA0616	1
LEVER-BRAKE (Ref # 43001)	43001-0749	1
WASHER,7X28X1.6 (Ref # 92022)	92022-1282	1
WASHER,15.3X24X1 (Ref # 92022A)	92022-326	1
BUSHING,BRAKE PEDAL (Ref # 92028)	92028-1282	1
SPRING,BRAKE PEDAL (Ref # 92145)	92145-0893	1