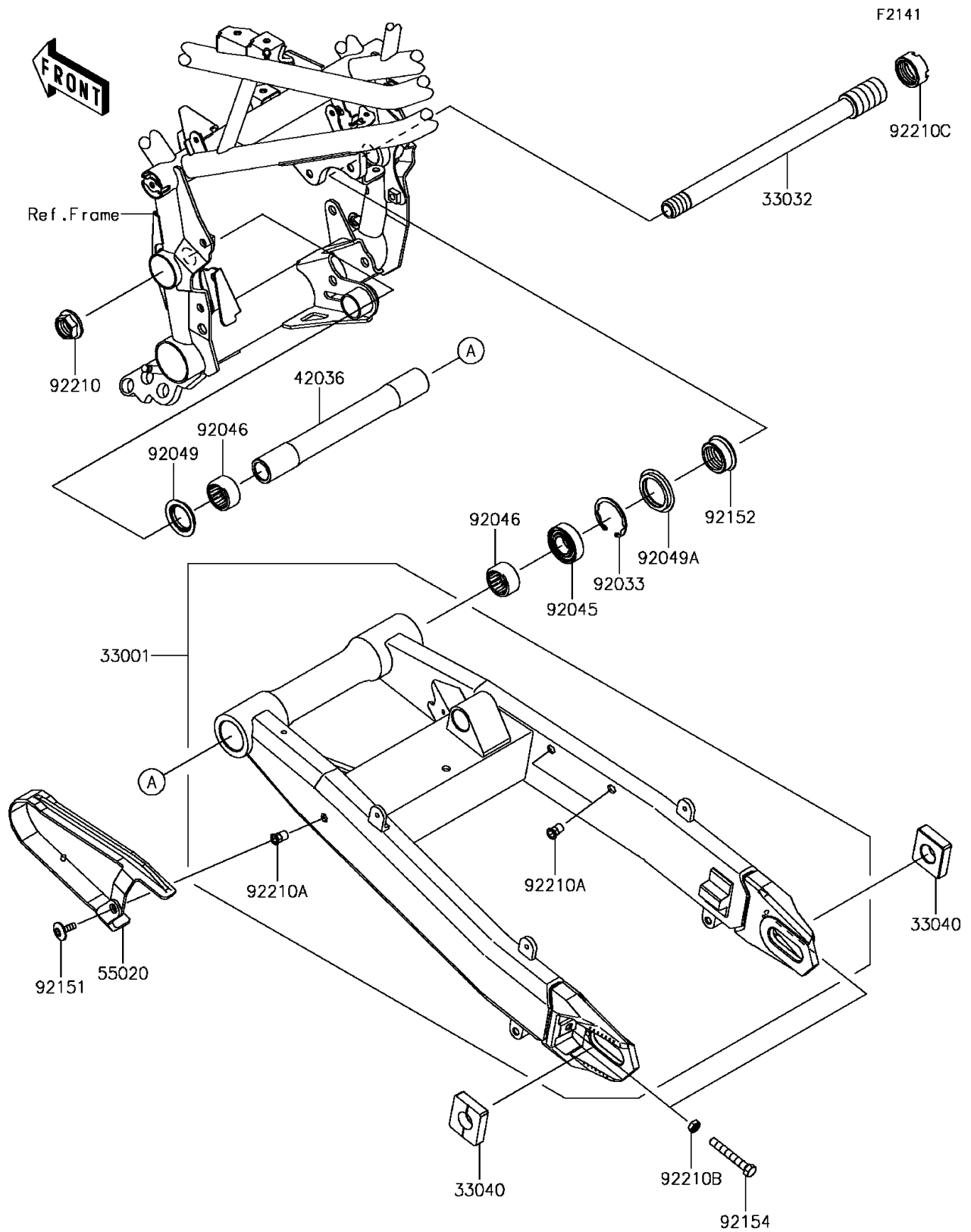


## 2017 PARTS DIAGRAM

Swingarm



## 2017 PARTS LIST

### Swingarm

ITEM NAME	PART NUMBER	QUANTITY
ARM-COMP-SWING,F.S.BLACK (Ref # 33001)	33001-0666-18R	1
SHAFT-SWING ARM,20X269 (Ref # 33032)	33032-0055	1
ADJUSTER-CHAIN (Ref # 33040)	33040-1109	1
SLEEVE,20.1X28X236.5 (Ref # 42036)	42036-0803	1
GUARD,CHAIN (Ref # 55020)	55020-1961	1
RING-SNAP,42MM (Ref # 92033)	92033-1041	1
BEARING-BALL,6004UL11 (Ref # 92045)	92045-0017	1
BEARING-NEEDLE,7E-HVS 28X34X17 (Ref # 92046)	92046-0008	1
SEAL-OIL (Ref # 92049)	92049-0132	1
SEAL-OIL,MHA 35 42 5.7F (Ref # 92049A)	92049-1380	1
BOLT,SOCKET,6X18 (Ref # 92151)	92151-1149	1
COLLAR,28X35X15 (Ref # 92152)	92152-2379	1
BOLT-SMALL,8X55 (Ref # 92154)	92154-1962	1
NUT,FLANGED,20MM (Ref # 92210)	92210-0320	1
NUT,POP,6MM,L=15 (Ref # 92210A)	92210-1397	1
NUT-HEX-SMALL,8MM (Ref # 92210B)	92210-1459	1
NUT,28MM (Ref # 92210C)	92210-1575	1