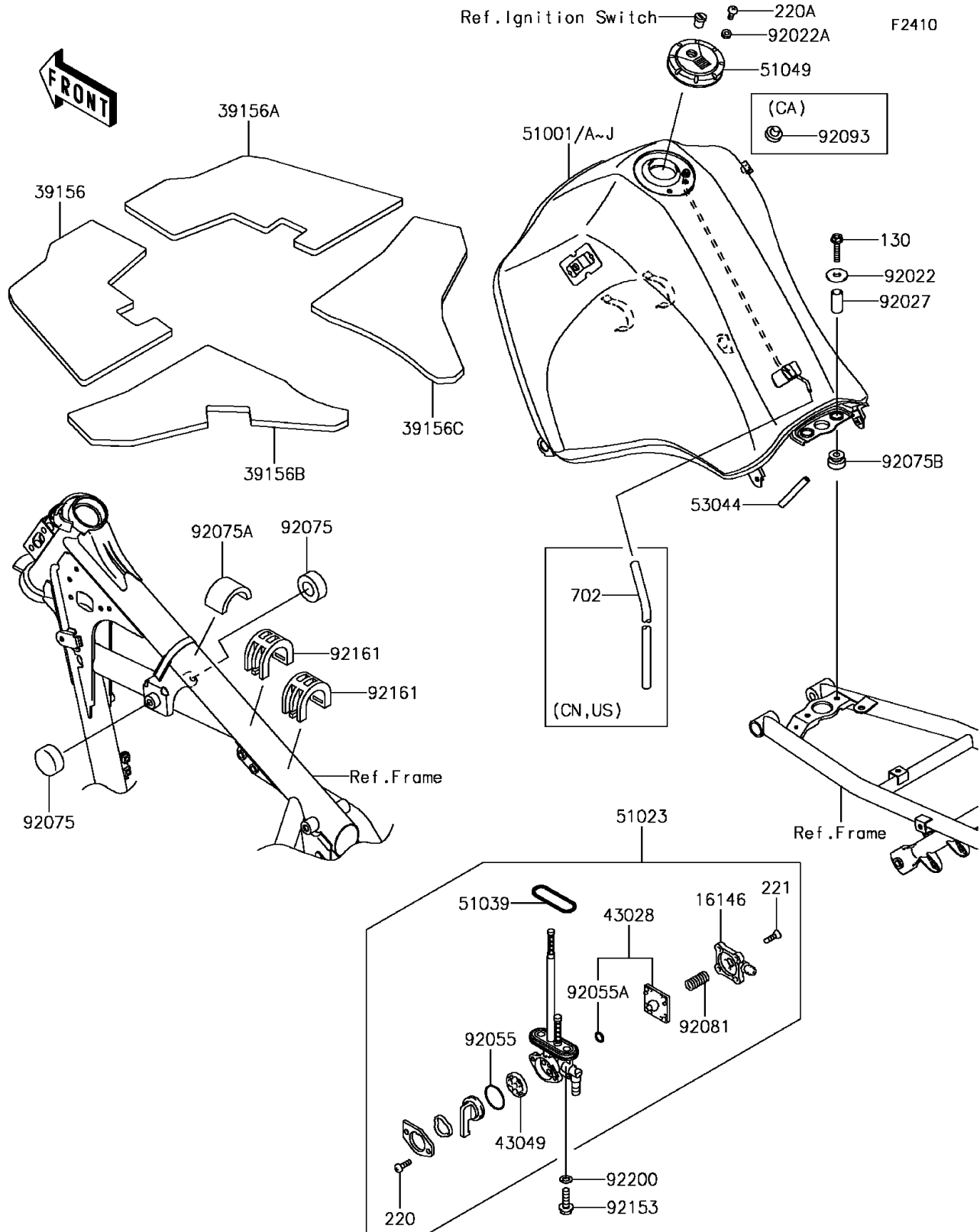


2015 KLR™650 PARTS DIAGRAM

Fuel Tank



2015 KLR™650 PARTS LIST

Fuel Tank

ITEM NAME	PART NUMBER	QUANTITY
COVER-ASSY,TAP DIAPHRAGM (Ref # 16146)	16146-1010	1
PAD,FUEL TANK,FR,LH (Ref # 39156)	39156-0620	1
PAD,FUEL TANK,CNT,RH (Ref # 39156A)	39156-0621	1
PAD,FUEL TANK,RR,LH (Ref # 39156B)	39156-0622	1
PAD,FUEL TANK,LWR,RH (Ref # 39156C)	39156-0623	1
DIAPHRAGM (Ref # 43028)	43028-1033	1
PACKING (Ref # 43049)	43049-1103	1
TAP-ASSY,FUEL (Ref # 51023)	51023-0003	1
RING,TAP FLANGED (Ref # 51039)	51039-003	1
CAP-TANK,FUEL (Ref # 51049)	51049-0049	1
TRIM,L=60 (Ref # 53044)	53044-1249	1
WASHER,6.5X20X1.6 (Ref # 92022)	92022-125	1
WASHER,5.1X10X1.0 (Ref # 92022A)	92022-1977	1
COLLAR,6.8X10X20 (Ref # 92027)	92027-1856	1
RING-O,TAP LEVER (Ref # 92055)	92055-1085	1
RING-O (Ref # 92055A)	92055-1664	1
DAMPER,FUEL TANK (Ref # 92075)	92075-101	1
DAMPER (Ref # 92075A)	92075-1507	1
BOLT-FLANGED,6X30 (Ref # 130)	130BB0630	1
SCREW-PAN-CROS,3X8 (Ref # 220)	220AA0308	1
SCREW-PAN-CROS,5X10 (Ref # 220A)	220AA0510	1
SCREW-CSK-CROS,4X14 (Ref # 221)	221AA0414	1
DAMPER (Ref # 92075B)	92075-1660	1
SPRING,TAP DIAPHRAGM (Ref # 92081)	92081-1240	1
BOLT,FLANGED,6X20 (Ref # 92153)	92153-0746	1
DAMPER,FUEL TANK (Ref # 92161)	92161-1686	1
WASHER,6.5X11.5X0.8 (Ref # 92200)	92200-0117	1
TANK-COMP-FUEL,P.S.WHITE (Ref # 51001)	51001-0367-25Y	1
TANK-COMP-FUEL,M.F.R.GRAYSTONE (Ref # 51001A)	51001-0367-35B	1

2015 KLR™650 PARTS LIST

Fuel Tank

ITEM NAME	PART NUMBER	QUANTITY
TANK-COMP-FUEL,C.L.GREEN (Ref # 51001C)	51001-0367-51P	1
TANK-COMP-FUEL,P.S.WHITE (Ref # 51001F)	51001-0368-25Y	1
TANK-COMP-FUEL,M.F.R.GRAYSTONE (Ref # 51001G)	51001-0368-35B	1
TANK-COMP-FUEL,C.L.GREEN (Ref # 51001I)	51001-0368-51P	1
TUBE-RUBBER,5X8X620 (Ref # 702)	702A05620	1
SEAL,FUEL TANK CAP (Ref # 92093)	92093-1030	1