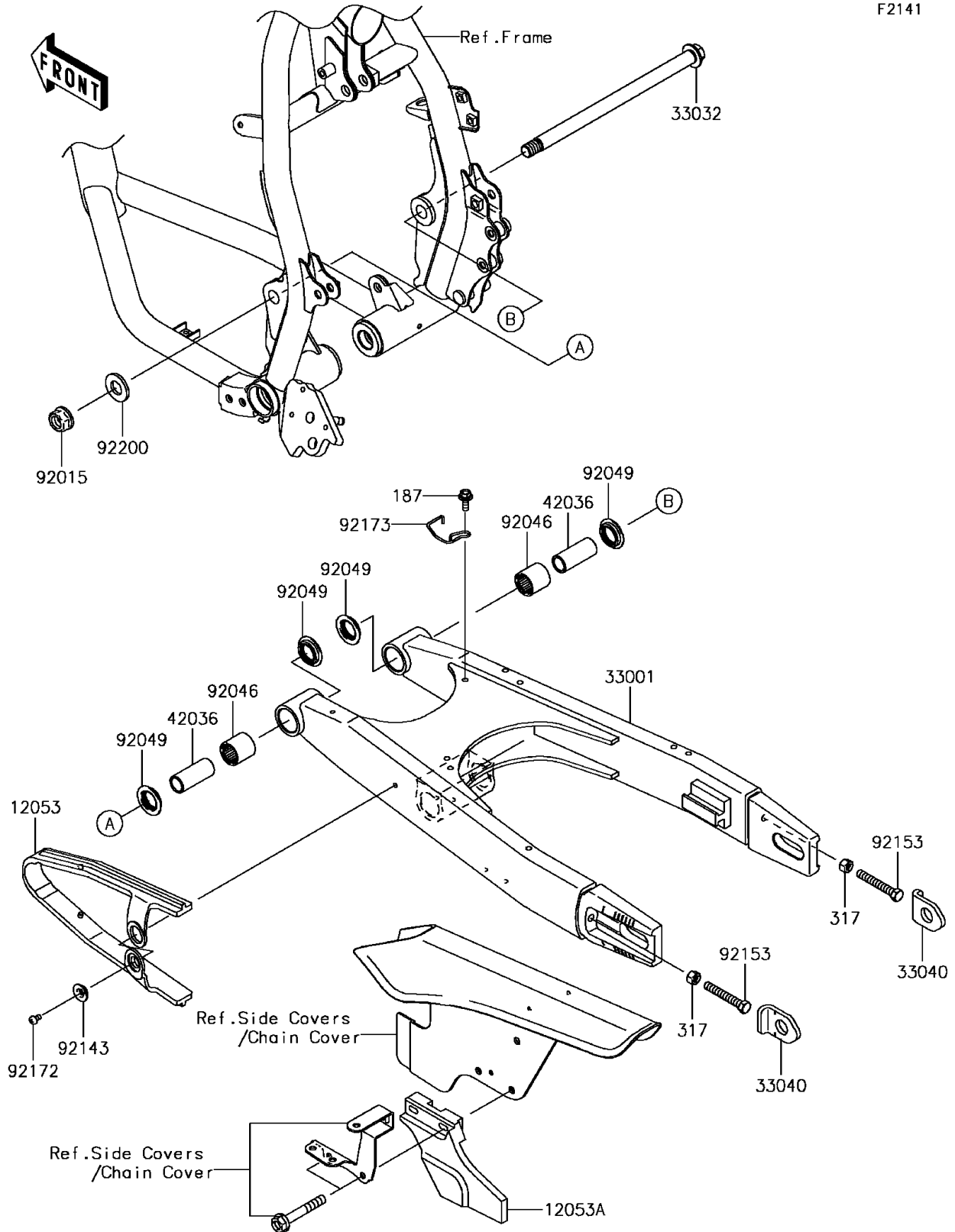


2015 KLR™650 PARTS DIAGRAM

Swingarm

F2141



2015 KLR™650 PARTS LIST

Swingarm

ITEM NAME	PART NUMBER	QUANTITY
BOLT-UPSET-WSP,6X16 (Ref # 187)	187BA0616	1
NUT-HEX-SMALL,8MM (Ref # 317)	317BA0800	1
GUIDE-CHAIN (Ref # 12053)	12053-0082	1
GUIDE-CHAIN,RR (Ref # 12053A)	12053-0222	1
ARM-COMP-SWING,F.S.BLACK (Ref # 33001)	33001-0207-18R	1
SHAFT-SWING ARM (Ref # 33032)	33032-1128	1
ADJUSTER-CHAIN (Ref # 33040)	33040-0033	1
SLEEVE,15X20X47.5 (Ref # 42036)	42036-1204	1
NUT,14MM (Ref # 92015)	92015-1459	1
BEARING-NEEDLE,BM202726 (Ref # 92046)	92046-1110	1
SEAL-OIL,ARM (Ref # 92049)	92049-1109	1
COLLAR (Ref # 92143)	92143-1676	1
BOLT,8X55 (Ref # 92153)	92153-1407	1
SCREW-PAN-CROSS,5X8,TB (Ref # 92172)	92172-0478	1
CLAMP (Ref # 92173)	92173-0209	1
WASHER,16X32X3.2 (Ref # 92200)	92200-0559	1