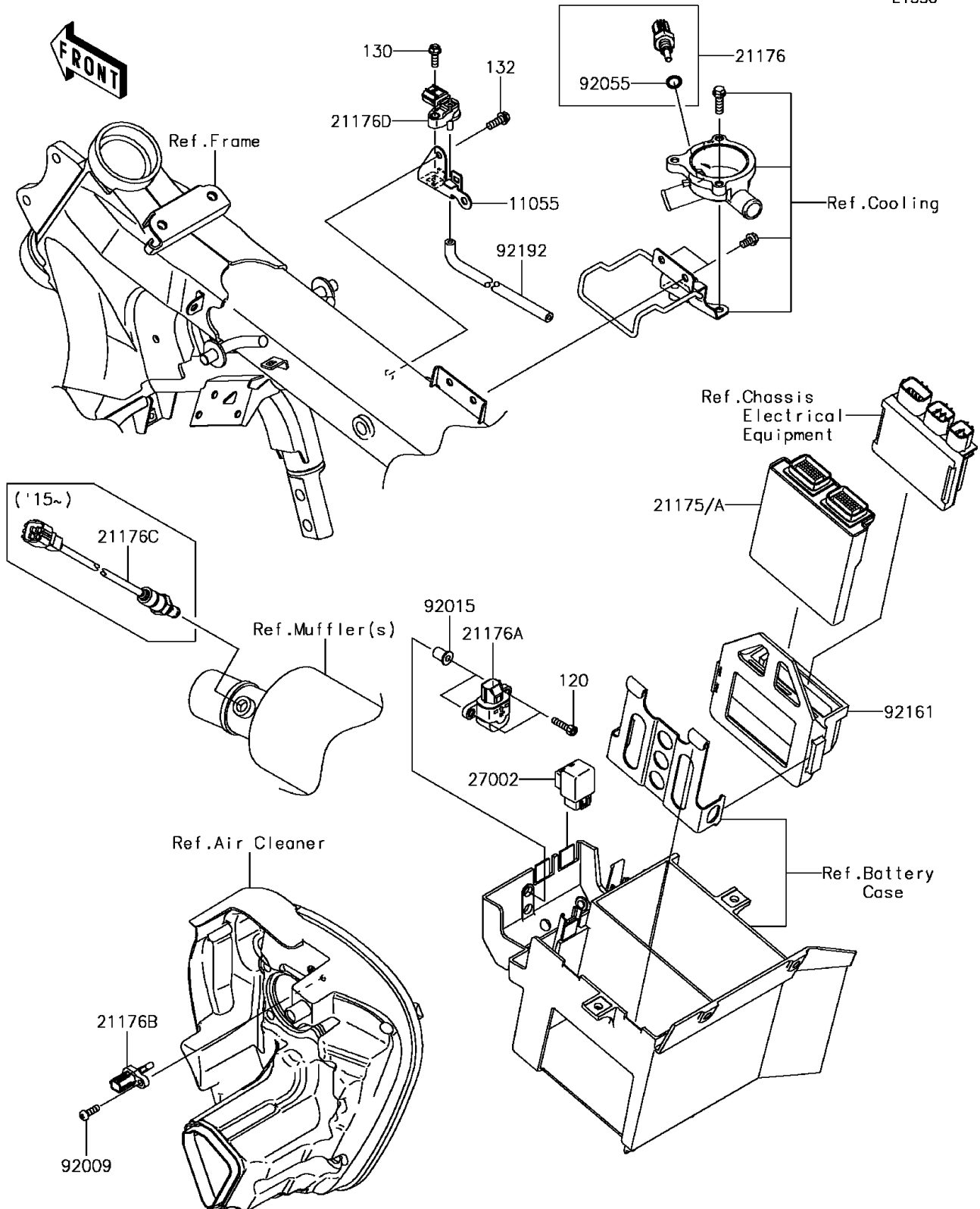


2013 Vulcan® 1700 Voyager® ABS PARTS DIAGRAM

Fuel Injection

E1530



2013 Vulcan® 1700 Voyager® ABS PARTS LIST

Fuel Injection

| ITEM NAME | PART NUMBER | QUANTITY |
|---------------------------------------|-------------|----------|
| BOLT-SOCKET,5X20 (Ref # 120) | 120CA0520 | 1 |
| BOLT-FLANGED,5X16 (Ref # 130) | 130BA0516 | 1 |
| BOLT-FLANGED-SMALL,6X16 (Ref # 132) | 132BA0616 | 1 |
| BRACKET (Ref # 11055) | 11055-0569 | 1 |
| CONTROL UNIT-ELECTRONIC (Ref # 21175) | 21175-0339 | 1 |
| SENSOR,WATER TEMP (Ref # 21176) | 21176-0009 | 1 |
| SENSOR (Ref # 21176A) | 21176-0025 | 1 |
| SENSOR,AIR TEMPERATURE (Ref # 21176B) | 21176-0048 | 1 |
| SENSOR,PRESSURE (Ref # 21176D) | 21176-0111 | 1 |
| RELAY-ASSY (Ref # 27002) | 27002-1062 | 1 |
| SCREW,TAPPING,5X16 (Ref # 92009) | 92009-1984 | 1 |
| NUT,WELL,5MM (Ref # 92015) | 92015-1757 | 1 |
| RING-O,9.5X1.9 (Ref # 92055) | 92055-0016 | 1 |
| DAMPER (Ref # 92161) | 92161-0092 | 1 |
| TUBE,FITTING-ASV (Ref # 92192) | 92192-0354 | 1 |