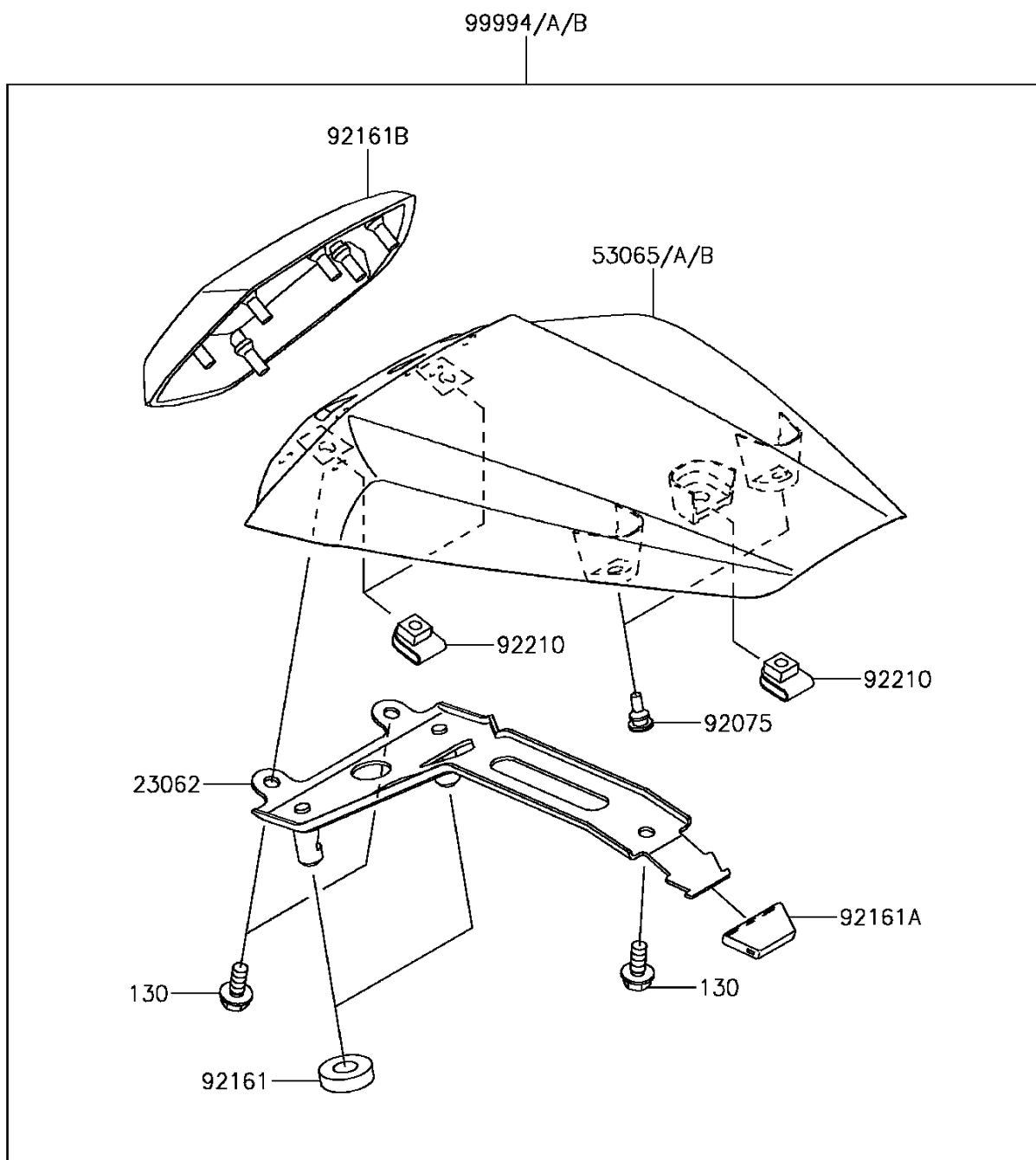


2016 PARTS DIAGRAM

Accessory(Single Seat Cover)

F2910



2016 PARTS LIST

Accessory(Single Seat Cover)

ITEM NAME	PART NUMBER	QUANTITY
BOLT-FLANGED,6X14 (Ref # 130)	130BA0614	1
BRACKET-COMP (Ref # 23062)	23062-0861	1
COVER SEAT,M.M.C.GRAY (Ref # 53065)	53065-0038-51B	1
DAMPER,6X10X15 (Ref # 92075)	92075-1808	1
DAMPER (Ref # 92161)	92161-0174	1
DAMPER (Ref # 92161A)	92161-0629	1
DAMPER,SEAT PAD (Ref # 92161B)	92161-1812	1
NUT,6MM (Ref # 92210)	92210-0277	1
KIT,SINGLE SEAT COVER,GRAY (Ref # 99994)	99994-0667-51B	1