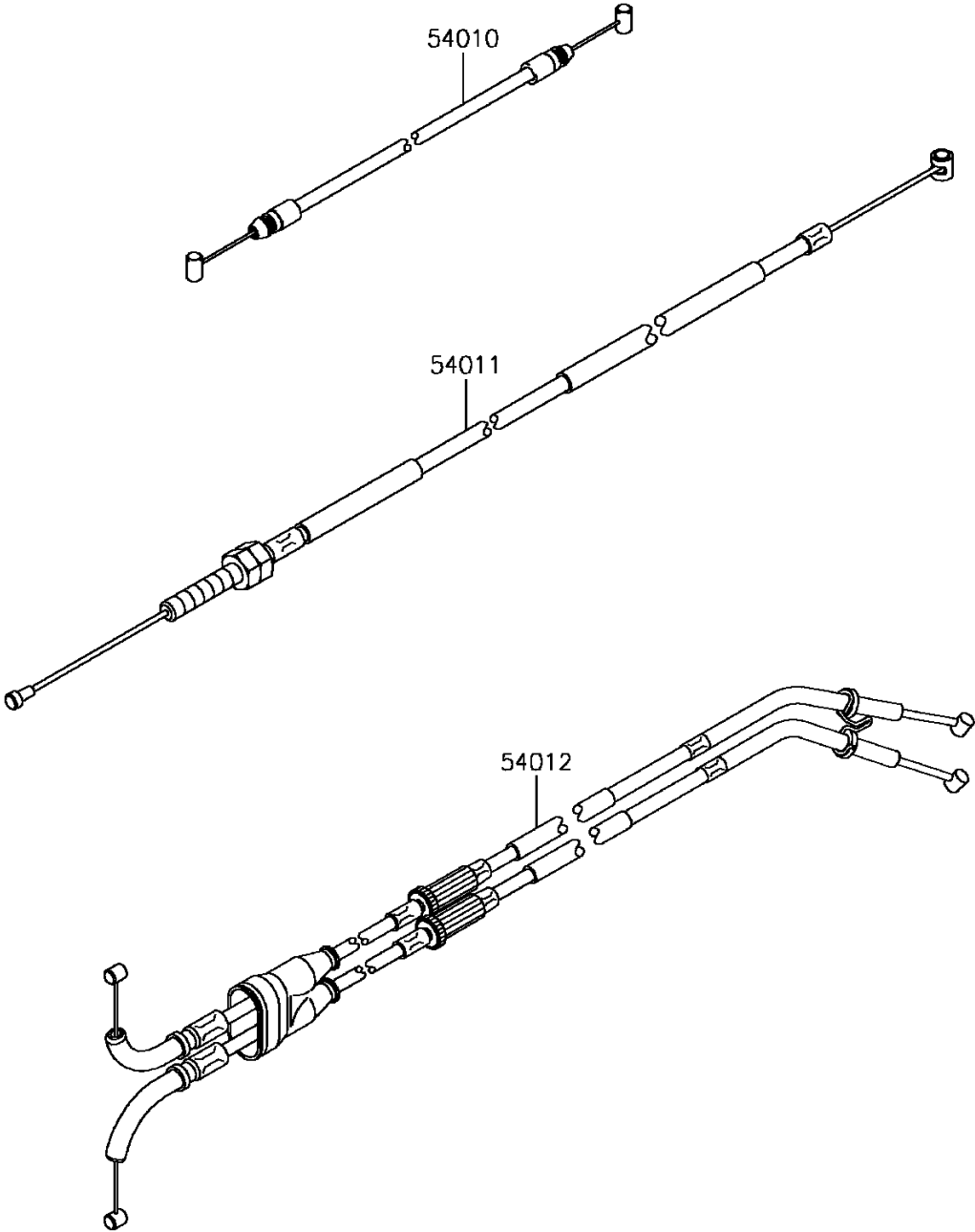


## 2016 PARTS DIAGRAM

Cables

F2540



## 2016 PARTS LIST

Cables

| ITEM NAME                     | PART NUMBER | QUANTITY |
|-------------------------------|-------------|----------|
| CABLE,SEAT LOCK (Ref # 54010) | 54010-0609  | 1        |
| CABLE-CLUTCH (Ref # 54011)    | 54011-0612  | 1        |
| CABLE-THROTTLE (Ref # 54012)  | 54012-0631  | 1        |