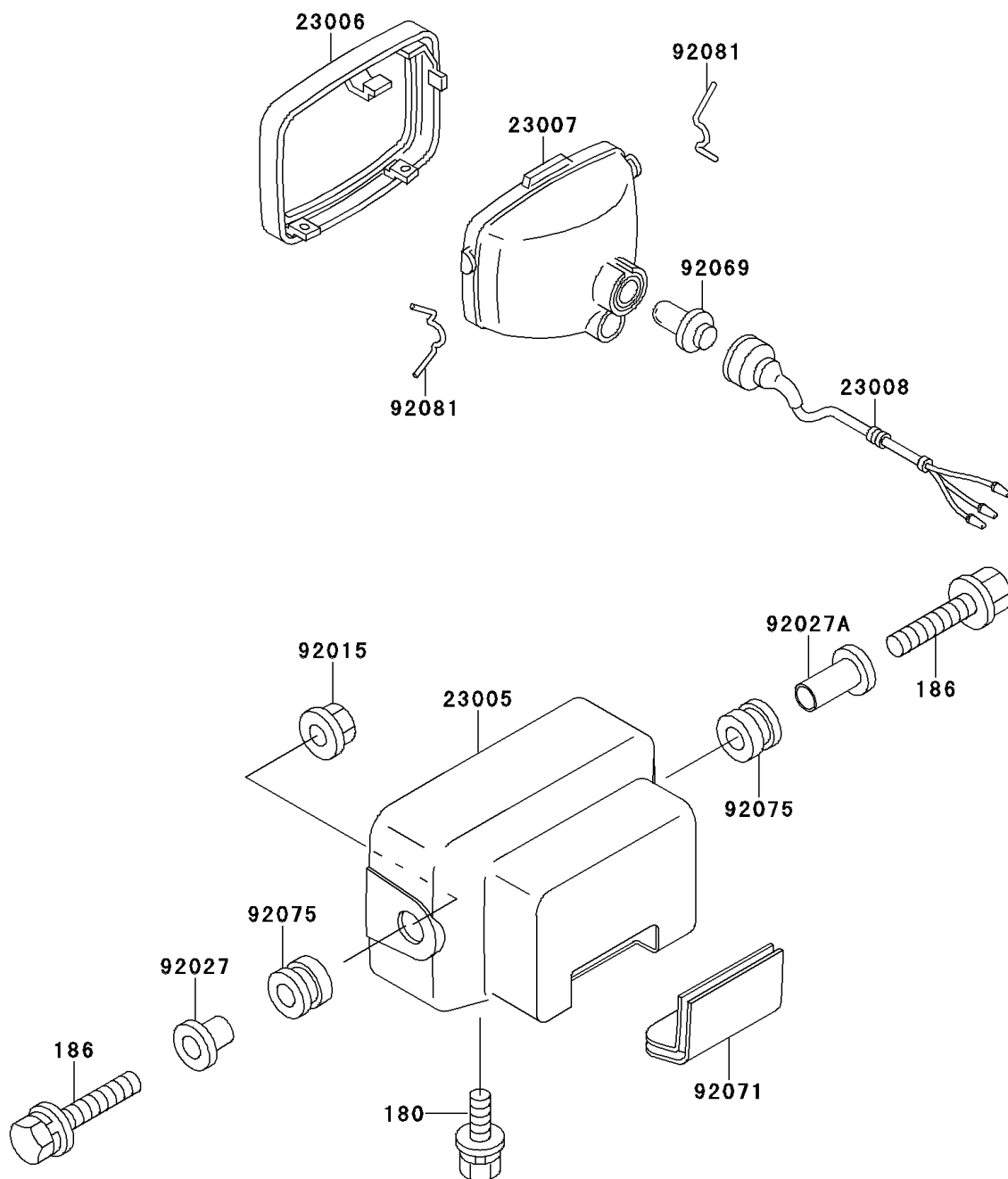


2000 Lakota™ 300 PARTS DIAGRAM

Headlight(s)

F2710



2000 Lakota™ 300 PARTS LIST

Headlight(s)

ITEM NAME	PART NUMBER	QUANTITY
BOLT-UPSET-WS (Ref # 180)	180C0512	1
BOLT-UPSET-WP (Ref # 186)	186B0630	1
BODY-COMP-HEAD LAMP,BLACK (Ref # 23005)	23005-1018-6Z	1
RIM-LAMP (Ref # 23006)	23006-1058	1
LENS-COMP,HEAD LAMP (Ref # 23007)	23007-1274	1
SOCKET-ASSY,HEAD LAMP (Ref # 23008)	23008-1357	1
NUT,FLANGED,6MM (Ref # 92015)	92015-1367	1
COLLAR,L=9.6 (Ref # 92027)	92027-1045	1
COLLAR,L=13.1 (Ref # 92027A)	92027-251	1
BULB,12V 25/25W (Ref # 92069)	92069-1010	1
GROMMET,HEAD LAMP (Ref # 92071)	92071-1205	1
DAMPER (Ref # 92075)	92075-277	1
SPRING (Ref # 92081)	92081-1421	1