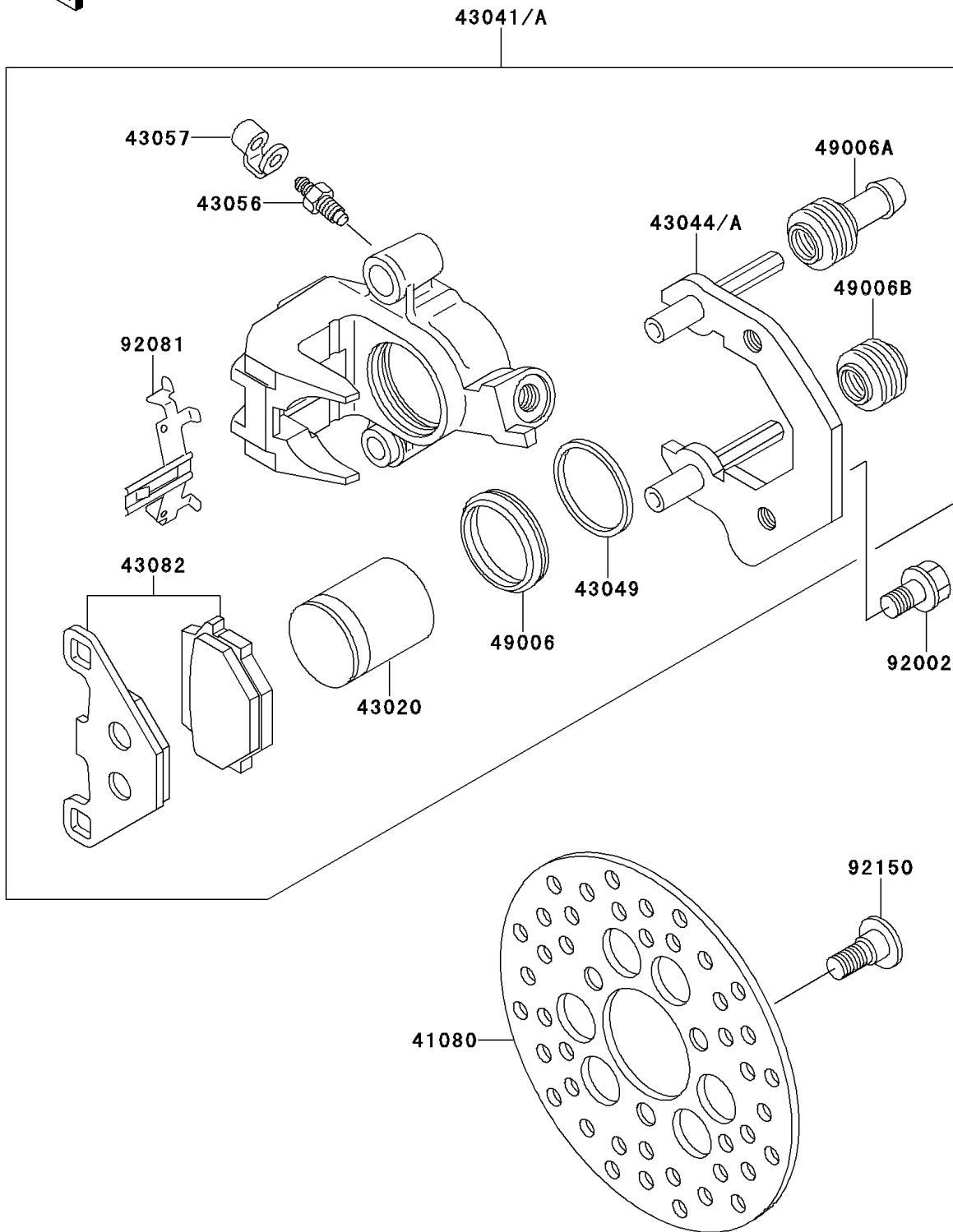


## 2000 Lakota™ 300 PARTS DIAGRAM

Front Brake

F2292



## 2000 Lakota™ 300 PARTS LIST

Front Brake

ITEM NAME	PART NUMBER	QUANTITY
DISC,FR (Ref # 41080)	41080-1171	1
PISTON-COMP-BRAKE (Ref # 43020)	43020-1093	1
CALIPER-ASSY,FR,LH,ALUMITE (Ref # 43041)	43041-1724-GZ	1
CALIPER-ASSY,FR,RH,ALUMITE (Ref # 43041A)	43041-1725-GZ	1
HOLDER-COMP-CALIPER,FR,LH (Ref # 43044)	43044-1064	1
HOLDER-COMP-CALIPER,FR,RH (Ref # 43044A)	43044-1065	1
PACKING (Ref # 43049)	43049-1016	1
BREATHER-BRAKE (Ref # 43056)	43056-1054	1
CAP-BREATHER (Ref # 43057)	43057-003	1
PAD-ASSY-BRAKE (Ref # 43082)	43082-1067	1
BOOT,PISTON SEAL (Ref # 49006)	49006-1053	1
BOOT,CALIPER (Ref # 49006A)	49006-1054	1
BOOT,CALIPER (Ref # 49006B)	49006-1055	1
BOLT,FLANGED,8X13 (Ref # 92002)	92002-1737	1
SPRING,PAD (Ref # 92081)	92081-1341	1
BOLT,SOCKET,8X20 (Ref # 92150)	92150-1760	1