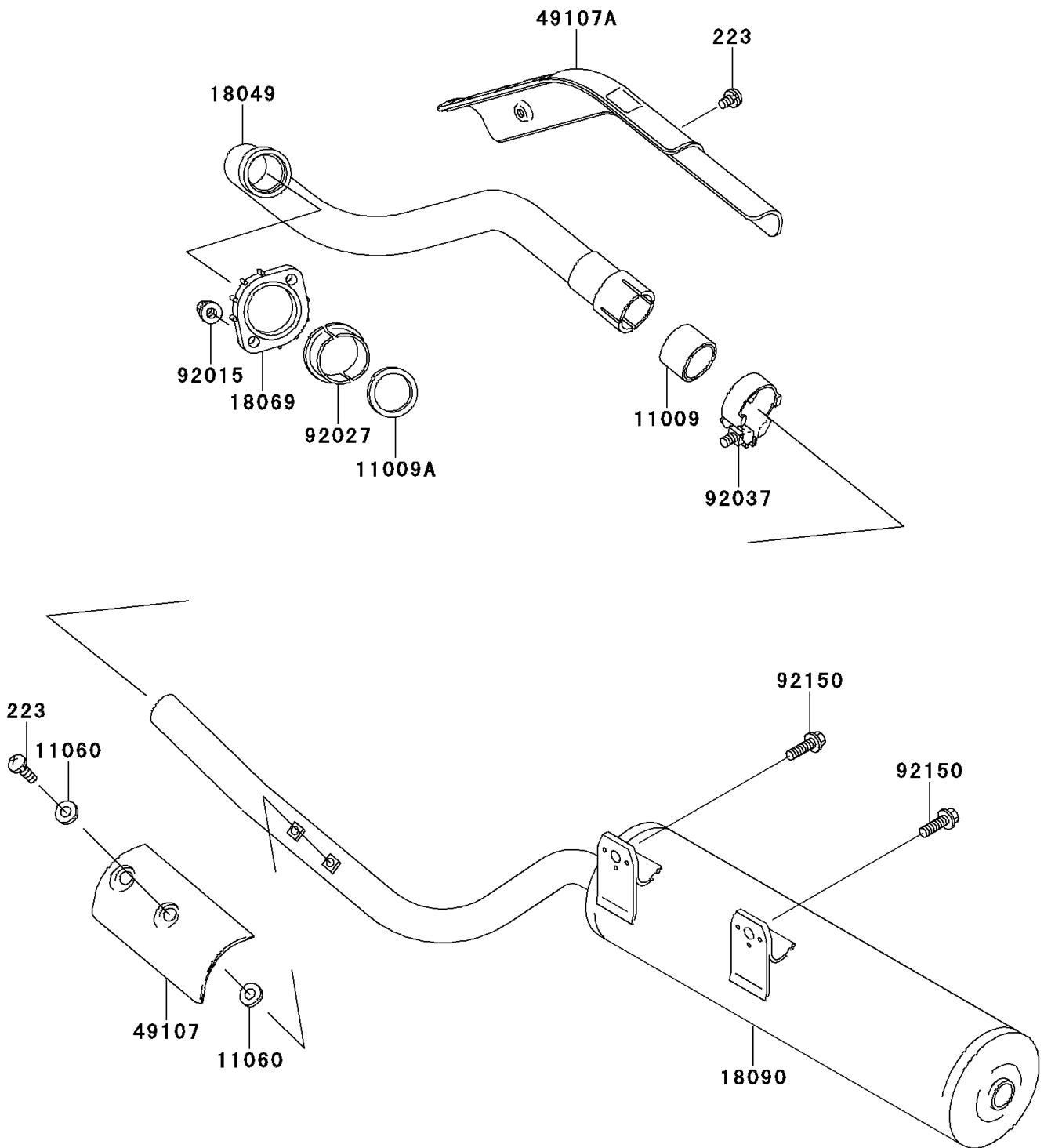


## 2000 Lakota™ 300 PARTS DIAGRAM

Muffler(s)

E1140



## 2000 Lakota™ 300 PARTS LIST

Muffler(s)

ITEM NAME	PART NUMBER	QUANTITY
SCREW-PAN-WS-CROS (Ref # 223)	223R0610	1
GASKET,EXHAUST PIPE CONNECTING (Ref # 11009)	11009-1718	1
GASKET,EXHAUST PIPE HOLDER (Ref # 11009A)	11009-1866	1
GASKET,6.2X11.5X1.5 (Ref # 11060)	11060-1109	1
PIPE-EXHAUST (Ref # 18049)	18049-1702	1
HOLDER-EXHAUST PIPE (Ref # 18069)	18069-1014	1
BODY-COMP-MUFFLER (Ref # 18090)	18090-1401	1
COVER-EXHAUST PIPE,RR (Ref # 49107)	49107-1072	1
COVER-EXHAUST PIPE (Ref # 49107A)	49107-1082	1
NUT,8MM (Ref # 92015)	92015-1402	1
COLLAR,EXHAUST PIPE (Ref # 92027)	92027-264	1
CLAMP (Ref # 92037)	92037-1956	1
BOLT (Ref # 92150)	92150-1158	1