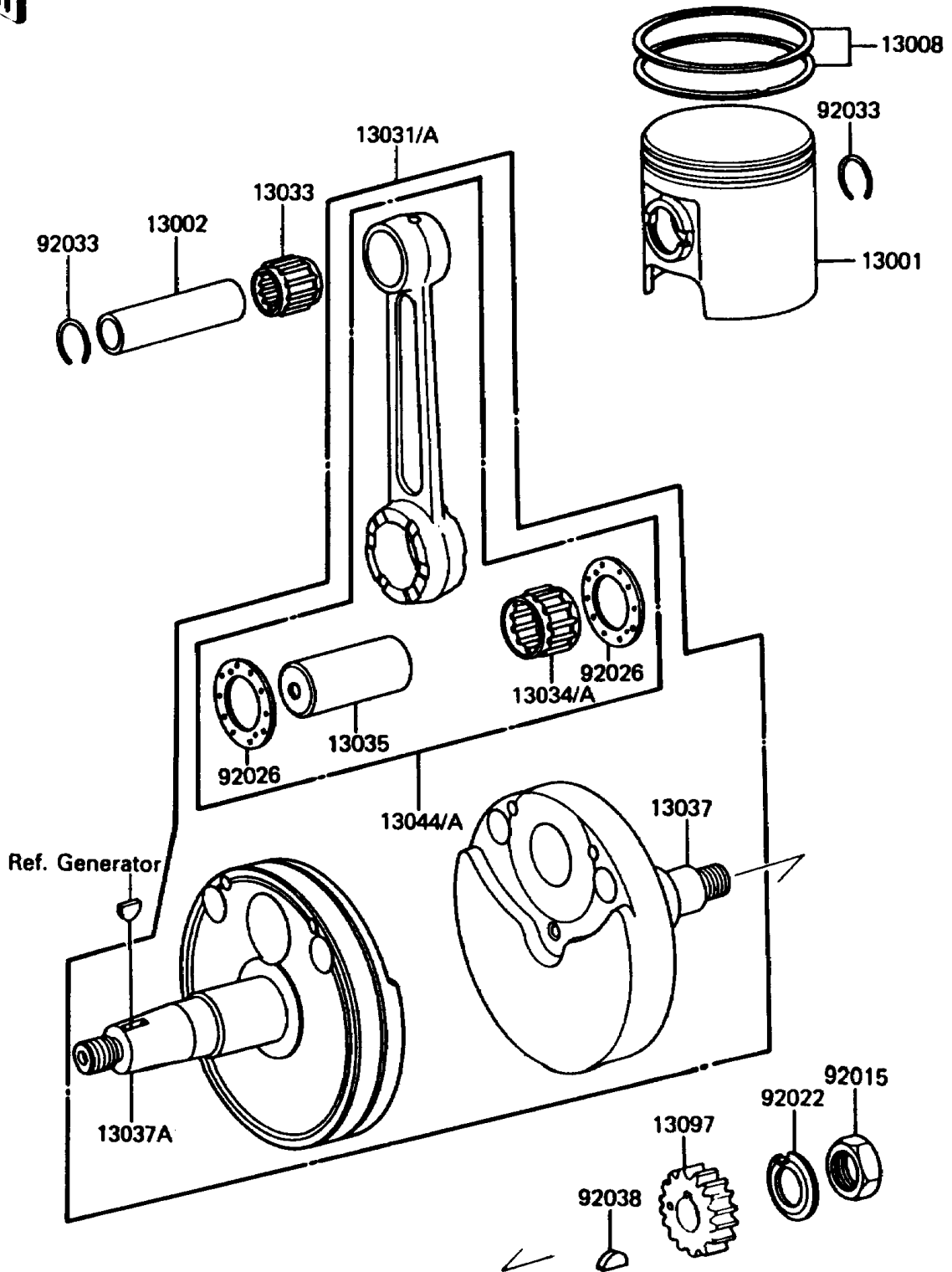


## 1984 KDX™80 PARTS DIAGRAM

Crankshaft/Piston(s)

E 1320-0014



## 1984 KDX™80 PARTS LIST

Crankshaft/Piston(s)

| ITEM NAME                                  | PART NUMBER | QUANTITY |
|--|-------------|----------|
| PISTON-ENGINE (Ref # 13001)                | 13001-1184  | 1        |
| PIN-PISTON (Ref # 13002)                   | 13002-1024  | 1        |
| RING-SET-PISTON (Ref # 13008)              | 13008-5052  | 1        |
| CRANKSHAFT-COMP (Ref # 13031)              | 13031-1155  | 1        |
| BEARING-NEEDLE,14R1818P (Ref # 13033)      | 13033-1003  | 1        |
| BEARING-BIG END,SKT222914EGS (Ref # 13034) | 13034-1032  | 1        |
| PIN-CRANK (Ref # 13035)                    | 13035-1054  | 1        |
| CRANKSHAFT,RH (Ref # 13037)                | 13037-1120  | 1        |
| CRANKSHAFT,LH (Ref # 13037A)               | 13037-1205  | 1        |
| SET-CONNECTING ROD (Ref # 13044)           | 13044-5034  | 1        |
| GEAR-PRIMARY SPUR,22T (Ref # 13097)        | 13097-1055  | 1        |
| NUT,12MM (Ref # 92015)                     | 92015-006   | 1        |
| WASHER,CLAW,12.5X25X0.8 (Ref # 92022)      | 92024-003   | 1        |
| SPACER,22.5X37X1.0 (Ref # 92026)           | 92026-011   | 1        |
| RING-SNAP,PISTON PIN (Ref # 92033)         | 92036-003   | 1        |
| KEY,WOODRUFF (Ref # 92038)                 | 92038-003   | 1        |