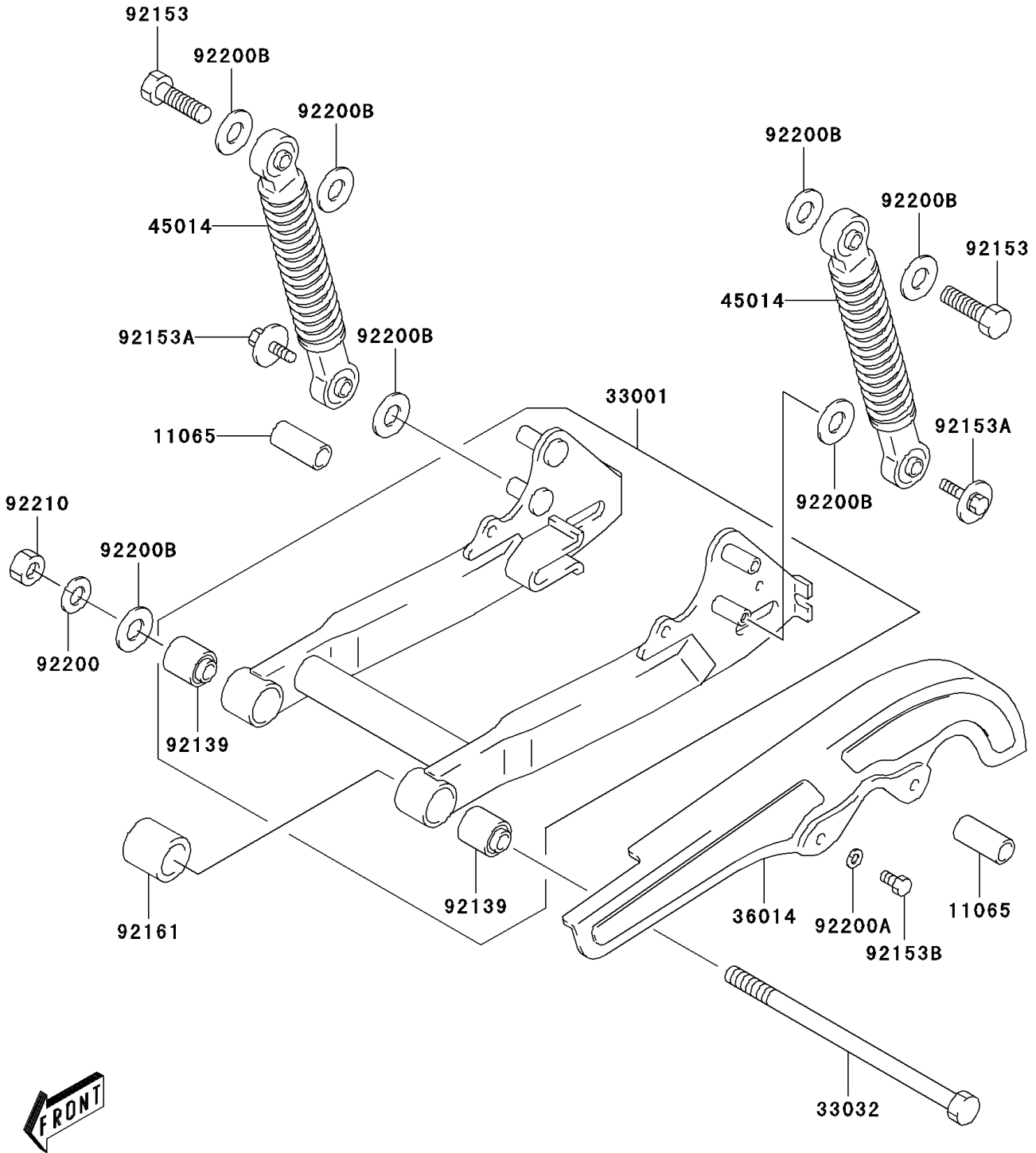


2006 KDX™50 PARTS DIAGRAM

Swingarm

F2141



2006 KDX™50 PARTS LIST

Swingarm

ITEM NAME	PART NUMBER	QUANTITY
CAP (Ref # 11065)	11065-S044	1
ARM-COMP-SWING,B.SILVER (Ref # 33001)	33001-S007-530	1
SHAFT-SWING ARM (Ref # 33032)	33032-S006	1
CASE-CHAIN (Ref # 36014)	36014-S006	1
SHOCKABSORBER (Ref # 45014)	45014-S020	1
BUSHING,10X22X28 (Ref # 92139)	92139-S031	1
BOLT,10X35 (Ref # 92153)	92153-S324	1
BOLT,6X12 (Ref # 92153A)	92153-S325	1
BOLT,6X12 (Ref # 92153B)	92153-S326	1
DAMPER (Ref # 92161)	92161-S181	1
WASHER,MAGNETO LOCK (Ref # 92200)	92200-S091	1
WASHER (Ref # 92200A)	92200-S102	1
WASHER,10.5X22X1.6 (Ref # 92200B)	92200-S173	1
NUT (Ref # 92210)	92210-S002	1