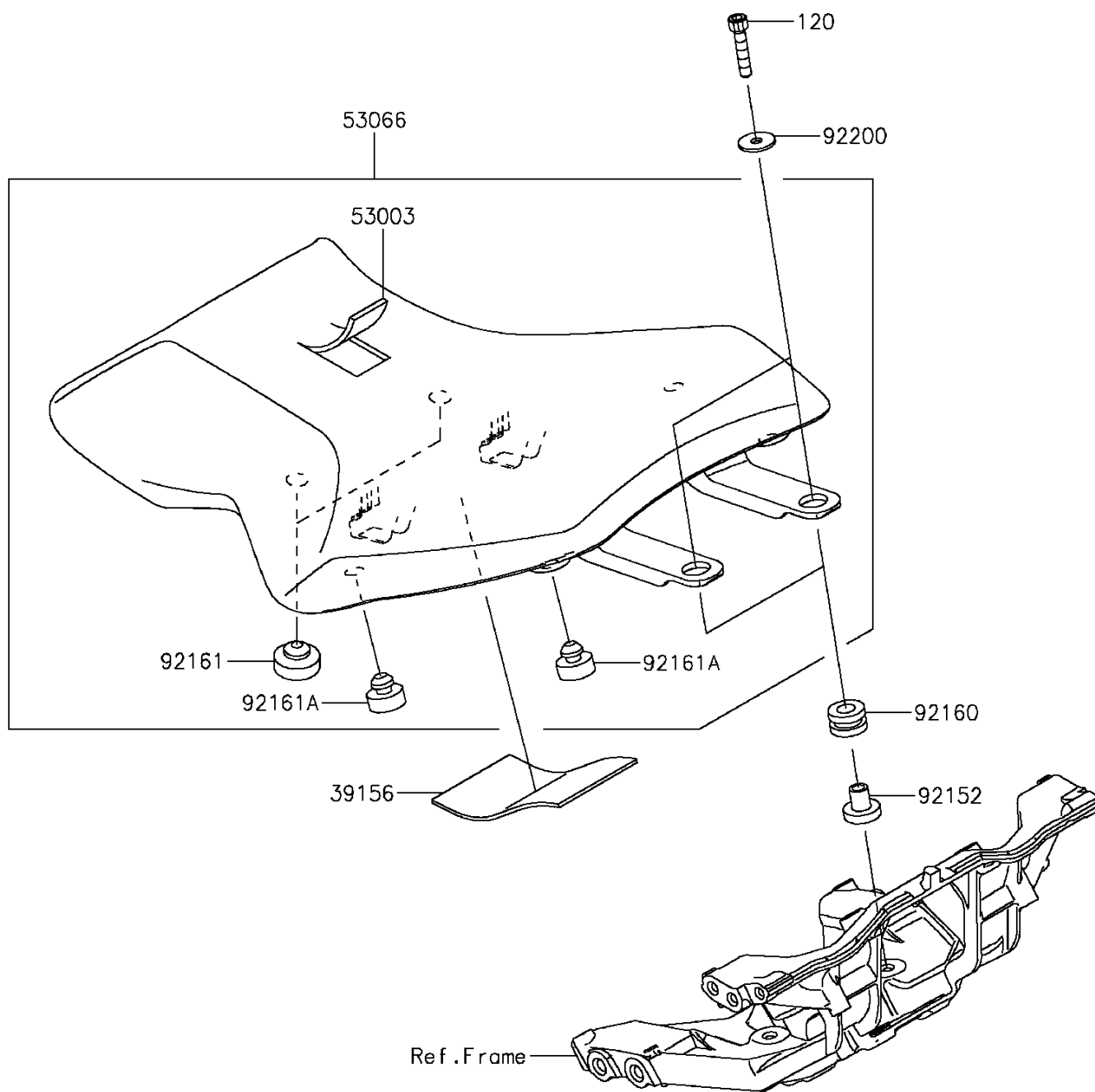


## 2015 PARTS DIAGRAM

Seat

F2510



## 2015 PARTS LIST

Seat

| ITEM NAME                        | PART NUMBER   | QUANTITY |
|----------------------------------|---------------|----------|
| BOLT-SOCKET,6X30 (Ref # 120)     | 120CA0630     | 1        |
| PAD,RR FRM (Ref # 39156)         | 39156-1778    | 1        |
| LEATHER,BLACK (Ref # 53003)      | 53003-0404-MA | 1        |
| SEAT-ASSY,BLACK (Ref # 53066)    | 53066-0462-MA | 1        |
| COLLAR,6.5X20X16.8 (Ref # 92152) | 92152-2119    | 1        |
| DAMPER,10X20X12 (Ref # 92160)    | 92160-1167    | 1        |
| DAMPER,SEAT (Ref # 92161)        | 92161-0095    | 1        |
| DAMPER (Ref # 92161A)            | 92161-0223    | 1        |
| WASHER,6X20X1.6 (Ref # 92200)    | 92200-0212    | 1        |