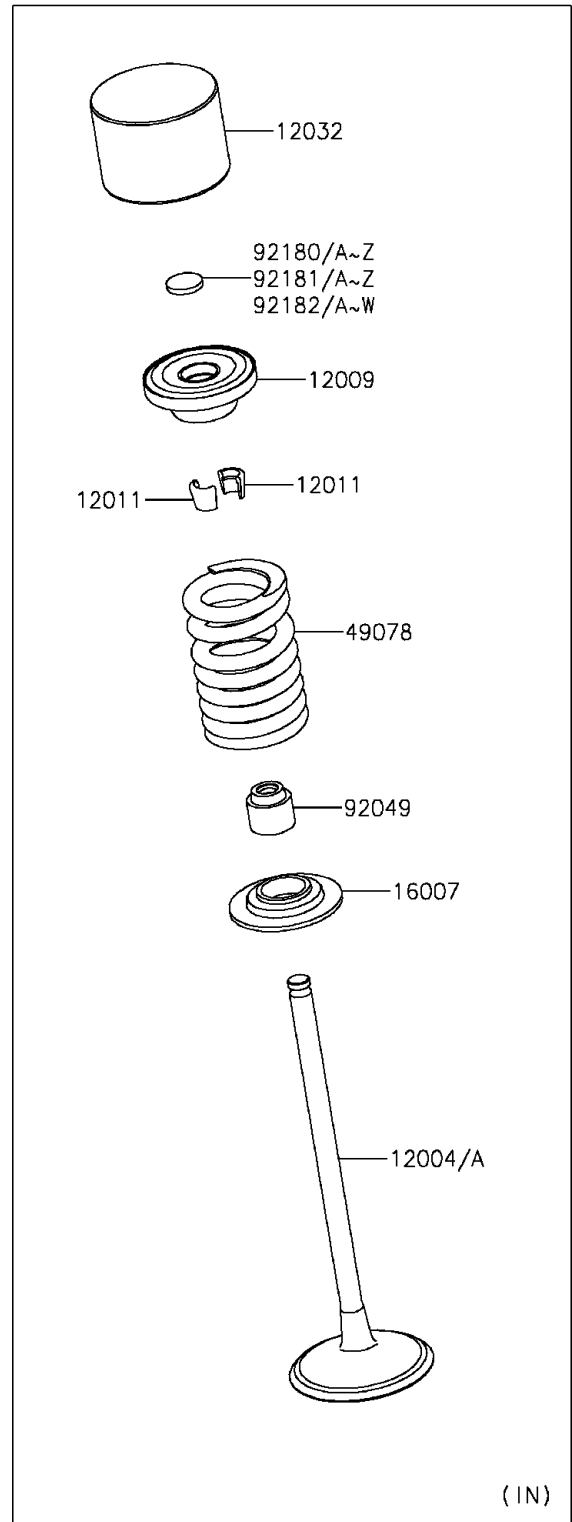
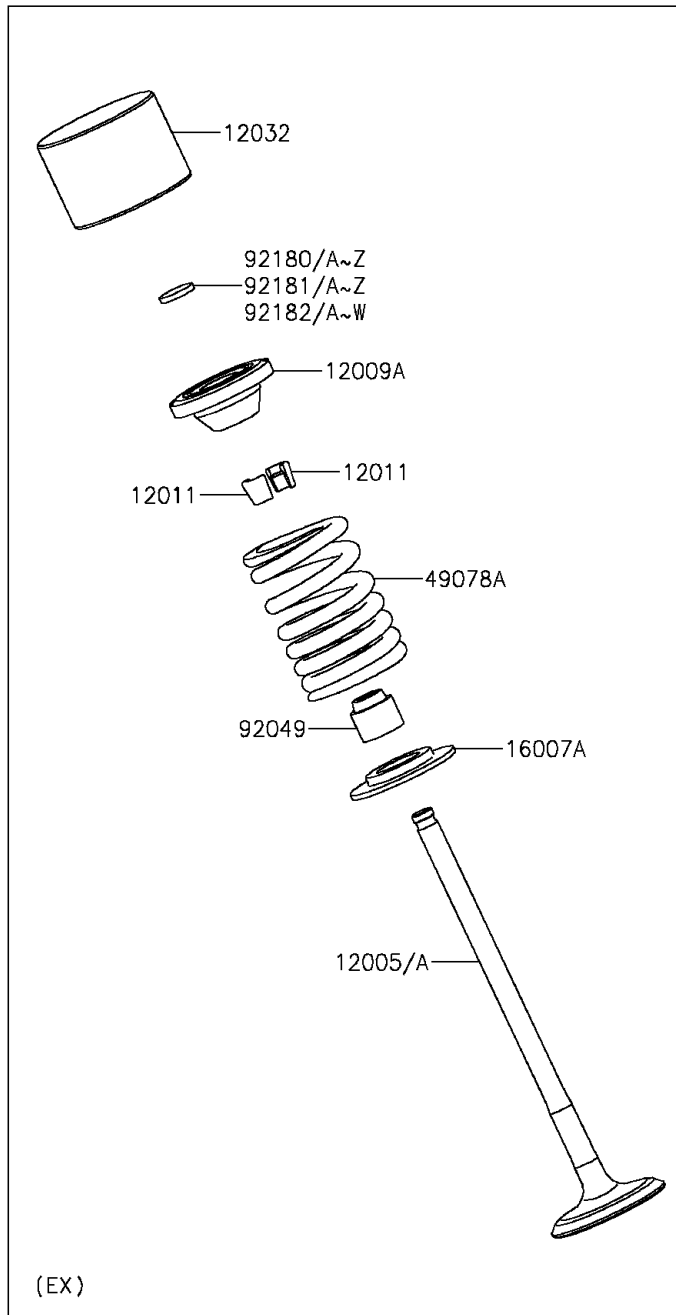


2015 PARTS DIAGRAM

Valve(s)

E1210



2015 PARTS LIST

Valve(s)

| ITEM NAME | PART NUMBER | QUANTITY |
|--|-------------|----------|
| VALVE-INTAKE (Ref # 12004) | 12004-0736 | 1 |
| VALVE-EXHAUST (Ref # 12005) | 12005-0747 | 1 |
| RETAINER-VALVE SPRING,INTAKE (Ref # 12009) | 12009-0025 | 1 |
| RETAINER-VALVE SPRING,EXHAUST (Ref # 12009A) | 12009-0026 | 1 |
| COLLET (Ref # 12011) | 12011-1053 | 1 |
| TAPPET,D26.5 (Ref # 12032) | 12032-0013 | 1 |
| SEAT-SPRING,INTAKE (Ref # 16007) | 16007-0034 | 1 |
| SEAT-SPRING,EXHAUST (Ref # 16007A) | 16007-0726 | 1 |
| SPRING-ENGINE VALVE,INTAKE (Ref # 49078) | 49078-0722 | 1 |
| SPRING-ENGINE VALVE,EXHAUST (Ref # 49078A) | 49078-0723 | 1 |
| SEAL-OIL,VSB 4.3 7.5 5.3 8.3 (Ref # 92049) | 92049-1349 | 1 |
| SHIM,T=1.300 (Ref # 92180) | 92180-0108 | 1 |
| SHIM,T=1.325 (Ref # 92180A) | 92180-0109 | 1 |
| SHIM,T=1.350 (Ref # 92180B) | 92180-0110 | 1 |
| SHIM,T=1.375 (Ref # 92180C) | 92180-0865 | 1 |
| SHIM,T=1.388 (Ref # 92180D) | 92180-0866 | 1 |
| SHIM,T=1.400 (Ref # 92180E) | 92180-0867 | 1 |
| SHIM,T=1.413 (Ref # 92180F) | 92180-0868 | 1 |
| SHIM,T=1.425 (Ref # 92180G) | 92180-0869 | 1 |
| SHIM,T=1.438 (Ref # 92180H) | 92180-0870 | 1 |
| SHIM,T=1.450 (Ref # 92180I) | 92180-0871 | 1 |
| SHIM,T=1.463 (Ref # 92180J) | 92180-0872 | 1 |
| SHIM,T=1.475 (Ref # 92180K) | 92180-0873 | 1 |
| SHIM,T=1.488 (Ref # 92180L) | 92180-0874 | 1 |
| SHIM,T=1.500 (Ref # 92180M) | 92180-0875 | 1 |
| SHIM,T=1.513 (Ref # 92180N) | 92180-0876 | 1 |
| SHIM,T=1.525 (Ref # 92180O) | 92180-0877 | 1 |
| SHIM,T=1.538 (Ref # 92180P) | 92180-0878 | 1 |
| SHIM,T=1.550 (Ref # 92180Q) | 92180-0879 | 1 |

2015 PARTS LIST

Valve(s)

| ITEM NAME | PART NUMBER | QUANTITY |
|-----------------------------|-------------|----------|
| SHIM,T=1.563 (Ref # 92180R) | 92180-0880 | 1 |
| SHIM,T=1.575 (Ref # 92180S) | 92180-0881 | 1 |
| SHIM,T=1.588 (Ref # 92180T) | 92180-0882 | 1 |
| SHIM,T=1.600 (Ref # 92180U) | 92180-0883 | 1 |
| SHIM,T=1.613 (Ref # 92180V) | 92180-0884 | 1 |
| SHIM,T=1.625 (Ref # 92180W) | 92180-0885 | 1 |
| SHIM,T=1.638 (Ref # 92180X) | 92180-0886 | 1 |
| SHIM,T=1.650 (Ref # 92180Y) | 92180-0887 | 1 |
| SHIM,T=1.663 (Ref # 92180Z) | 92180-0888 | 1 |
| SHIM,T=1.675 (Ref # 92181) | 92180-0889 | 1 |
| SHIM,T=1.688 (Ref # 92181A) | 92180-0890 | 1 |
| SHIM,T=1.700 (Ref # 92181B) | 92180-0891 | 1 |
| SHIM,T=1.713 (Ref # 92181C) | 92180-0892 | 1 |
| SHIM,T=1.725 (Ref # 92181D) | 92180-0893 | 1 |
| SHIM,T=1.738 (Ref # 92181E) | 92180-0894 | 1 |
| SHIM,T=1.750 (Ref # 92181F) | 92180-0895 | 1 |
| SHIM,T=1.763 (Ref # 92181G) | 92180-0896 | 1 |
| SHIM,T=1.775 (Ref # 92181H) | 92180-0897 | 1 |
| SHIM,T=1.788 (Ref # 92181I) | 92180-0898 | 1 |
| SHIM,T=1.800 (Ref # 92181J) | 92180-0899 | 1 |
| SHIM,T=1.813 (Ref # 92181K) | 92180-0900 | 1 |
| SHIM,T=1.825 (Ref # 92181L) | 92180-0901 | 1 |
| SHIM,T=1.838 (Ref # 92181M) | 92180-0902 | 1 |
| SHIM,T=1.850 (Ref # 92181N) | 92180-0903 | 1 |
| SHIM,T=1.863 (Ref # 92181O) | 92180-0904 | 1 |
| SHIM,T=1.875 (Ref # 92181P) | 92180-0905 | 1 |
| SHIM,T=1.888 (Ref # 92181Q) | 92180-0906 | 1 |
| SHIM,T=1.900 (Ref # 92181R) | 92180-0907 | 1 |
| SHIM,T=1.913 (Ref # 92181S) | 92180-0908 | 1 |

2015 PARTS LIST

Valve(s)

| ITEM NAME | PART NUMBER | QUANTITY |
|-----------------------------|-------------|----------|
| SHIM,T=1.925 (Ref # 92181T) | 92180-0909 | 1 |
| SHIM,T=1.938 (Ref # 92181U) | 92180-0910 | 1 |
| SHIM,T=1.950 (Ref # 92181V) | 92180-0911 | 1 |
| SHIM,T=1.963 (Ref # 92181W) | 92180-0912 | 1 |
| SHIM,T=1.975 (Ref # 92181X) | 92180-0913 | 1 |
| SHIM,T=1.988 (Ref # 92181Y) | 92180-0914 | 1 |
| SHIM,T=2.000 (Ref # 92181Z) | 92180-0915 | 1 |
| SHIM,T=2.013 (Ref # 92182) | 92180-0916 | 1 |
| SHIM,T=2.025 (Ref # 92182A) | 92180-0917 | 1 |
| SHIM,T=2.038 (Ref # 92182B) | 92180-0918 | 1 |
| SHIM,T=2.050 (Ref # 92182C) | 92180-0919 | 1 |
| SHIM,T=2.063 (Ref # 92182D) | 92180-0920 | 1 |
| SHIM,T=2.075 (Ref # 92182E) | 92180-0921 | 1 |
| SHIM,T=2.088 (Ref # 92182F) | 92180-0922 | 1 |
| SHIM,T=2.100 (Ref # 92182G) | 92180-0923 | 1 |
| SHIM,T=2.113 (Ref # 92182H) | 92180-0924 | 1 |
| SHIM,T=2.125 (Ref # 92182I) | 92180-0925 | 1 |
| SHIM,T=2.138 (Ref # 92182J) | 92180-0926 | 1 |
| SHIM,T=2.150 (Ref # 92182K) | 92180-0927 | 1 |
| SHIM,T=2.163 (Ref # 92182L) | 92180-0928 | 1 |
| SHIM,T=2.175 (Ref # 92182M) | 92180-0929 | 1 |
| SHIM,T=2.188 (Ref # 92182N) | 92180-0930 | 1 |
| SHIM,T=2.200 (Ref # 92182O) | 92180-0931 | 1 |
| SHIM,T=2.213 (Ref # 92182P) | 92180-0932 | 1 |
| SHIM,T=2.225 (Ref # 92182Q) | 92180-0933 | 1 |
| SHIM,T=2.238 (Ref # 92182R) | 92180-0934 | 1 |
| SHIM,T=2.250 (Ref # 92182S) | 92180-0935 | 1 |
| SHIM,T=2.263 (Ref # 92182T) | 92180-0936 | 1 |
| SHIM,T=2.275 (Ref # 92182U) | 92180-0937 | 1 |

2015 PARTS LIST

Valve(s)

| ITEM NAME | PART NUMBER | QUANTITY |
|-----------------------------|-------------|----------|
| SHIM,T=2.288 (Ref # 92182V) | 92180-0938 | 1 |
| SHIM,T=2.300 (Ref # 92182W) | 92180-0939 | 1 |