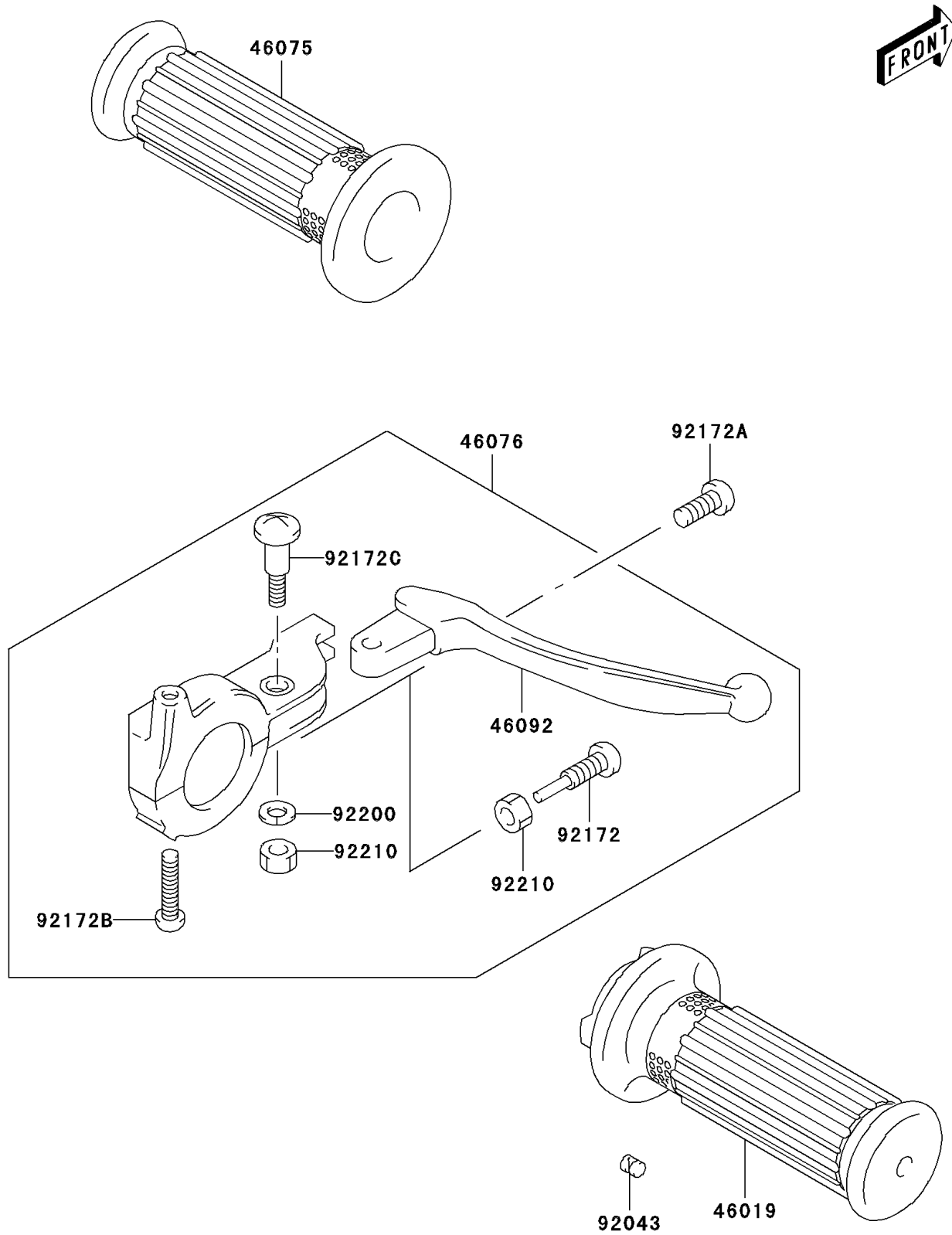


## 2003 KDX™50 PARTS DIAGRAM

Handle Lever

F2316



## 2003 KDX™50 PARTS LIST

Handle Lever

ITEM NAME	PART NUMBER	QUANTITY
GRIP-ASSY,THROTTLE (Ref # 46019)	46019-S004	1
GRIP,LH (Ref # 46075)	46075-S007	1
LEVER-ASSY-GRIP (Ref # 46076)	46076-S008	1
LEVER-GRIP (Ref # 46092)	46092-S012	1
PIN,THROTTLE CABLE END (Ref # 92043)	92043-S045	1
SCREW (Ref # 92172)	92172-S184	1
SCREW,5X6 (Ref # 92172A)	92172-S186	1
SCREW (Ref # 92172B)	92172-S190	1
SCREW (Ref # 92172C)	92172-S191	1
WASHER,BRAKE LEVER (Ref # 92200)	92200-S168	1
NUT (Ref # 92210)	92210-S065	1