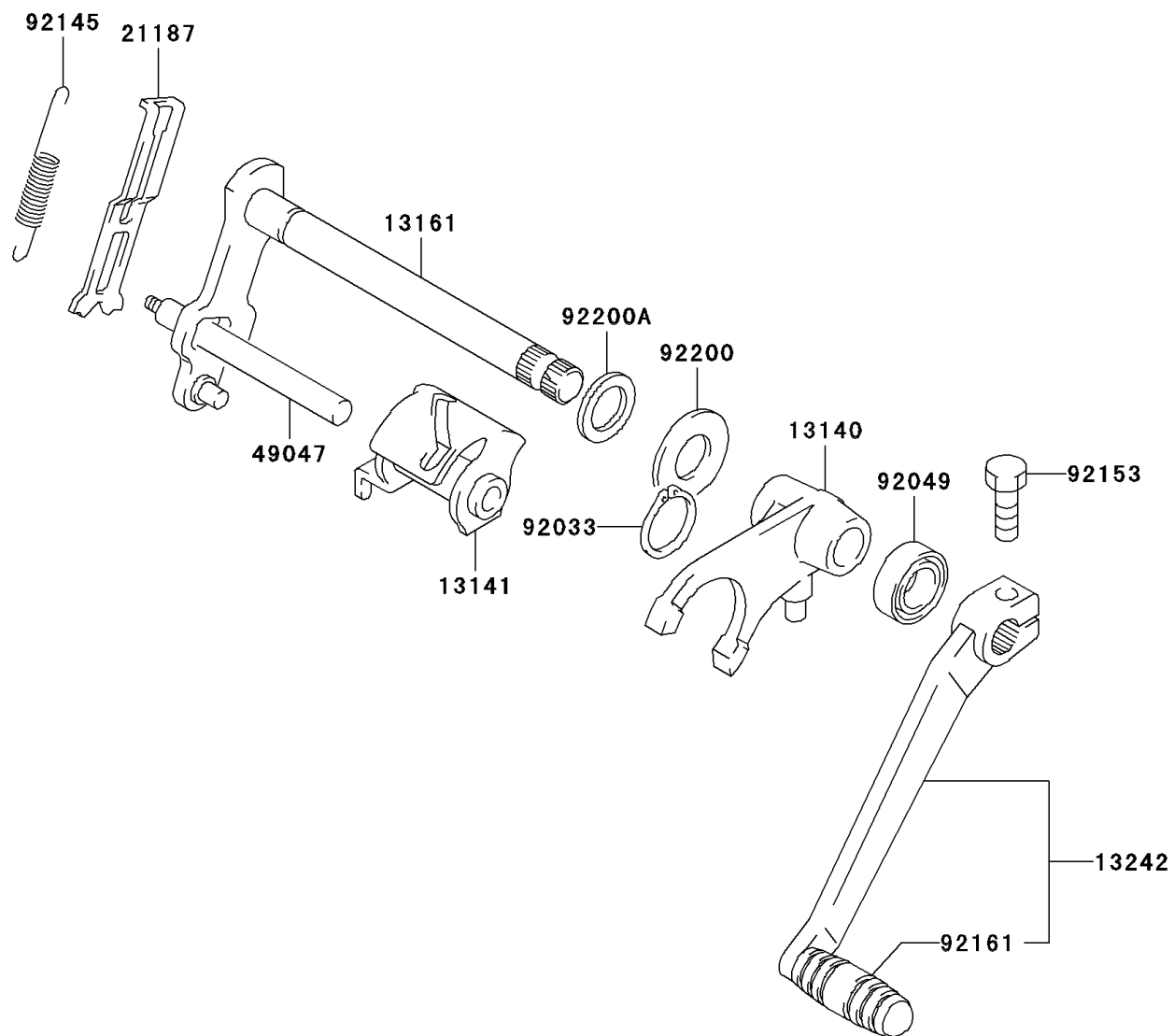


## 2003 KDX™50 PARTS DIAGRAM

Gear Change Mechanism

E1370



## 2003 KDX™50 PARTS LIST

Gear Change Mechanism

ITEM NAME	PART NUMBER	QUANTITY
FORK-SHIFT (Ref # 13140)	13140-S011	1
DRUM-CHANGE (Ref # 13141)	13141-S006	1
LEVER-COMP-CHANGE SHAFT (Ref # 13161)	13161-S005	1
LEVER-ASSY-CHANGE (Ref # 13242)	13242-S004	1
ARM-ASSY,CAM STOPPER (Ref # 21187)	21187-S007	1
ROD-SHIFT (Ref # 49047)	49047-S005	1
RING-SNAP (Ref # 92033)	92033-S023	1
SEAL-OIL,12X22X9 (Ref # 92049)	92049-S020	1
SPRING,GEAR SHIFT CAM (Ref # 92145)	92145-S116	1
BOLT (Ref # 92153)	92153-S127	1
DAMPER,PEDAL (Ref # 92161)	92161-S093	1
WASHER,GEAR SHIFT SHAFT (Ref # 92200)	92200-S170	1
WASHER,GEAR SHIFT SHAFT (Ref # 92200A)	92200-S171	1