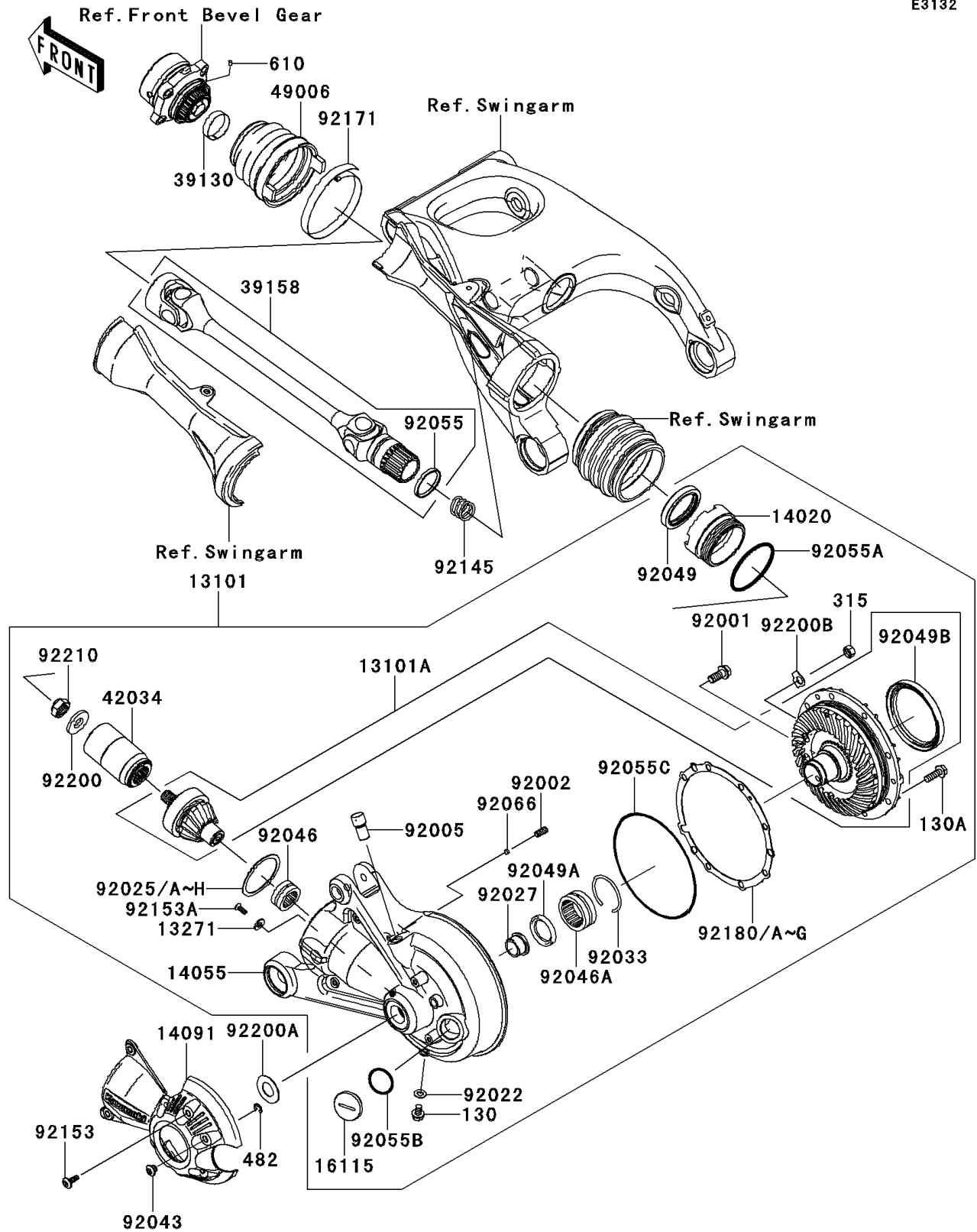


2008 Concours™ 14 PARTS DIAGRAM

Drive Shaft/Final Gear

E3132



2008 Concours™ 14 PARTS LIST

Drive Shaft/Final Gear

ITEM NAME	PART NUMBER	QUANTITY
GEAR-ASSY,P.SILVER (Ref # 13101)	13101-0065-458	1
GEAR-ASSY,BEVEL,RR (Ref # 13101A)	13101-5091	1
PLATE (Ref # 13271)	13271-0930	1
RETAINER (Ref # 14020)	14020-0010	1
CASE-GEAR,P.SILVER (Ref # 14055)	14055-0034-458	1
COVER,DRIVE SHAFT (Ref # 14091)	14091-0908	1
CAP-OIL FILLER (Ref # 16115)	16115-1070	1
SPRING-LEAF (Ref # 39130)	39130-1002	1
SHAFT-ASSY-DRIVE (Ref # 39158)	39158-0004	1
COUPLING (Ref # 42034)	42034-0039	1
BOOT (Ref # 49006)	49006-0070	1
BOLT,10X23 (Ref # 92001)	92001-1778	1
SCREW-SET-SOCKET,8X18 (Ref # 92002)	92002-1836	1
FITTING (Ref # 92005)	92005-0094	1
WASHER,8.2X16X1 (Ref # 92022)	92022-1086	1
SHIM,T=0.10 (Ref # 92025)	92025-1733	1
SHIM,T=0.15 (Ref # 92025A)	92025-1734	1
SHIM,T=0.50 (Ref # 92025B)	92025-1735	1
SHIM,T=0.60 (Ref # 92025C)	92025-1736	1
SHIM,T=0.70 (Ref # 92025D)	92025-1737	1
SHIM,T=0.80 (Ref # 92025E)	92025-1738	1
SHIM,T=0.90 (Ref # 92025F)	92025-1739	1
SHIM,T=1.00 (Ref # 92025G)	92025-1740	1
SHIM,T=1.20 (Ref # 92025H)	92025-1741	1
COLLAR (Ref # 92027)	92027-1557	1
RING-SNAP,52MM (Ref # 92033)	92033-1074	1
PIN (Ref # 92043)	92043-0127	1
BEARING-NEEDLE,RNA4904ARD (Ref # 92046)	92046-1168	1
BEARING-NEEDLE,38NQ5020WD (Ref # 92046A)	92046-1169	1

2008 Concours™ 14 PARTS LIST

Drive Shaft/Final Gear

ITEM NAME	PART NUMBER	QUANTITY
SEAL-OIL,HTC 50 65 9 (Ref # 92049)	92049-0085	1
SEAL-OIL,S-35477HS (Ref # 92049A)	92049-1025	1
SEAL-OIL,MHSA83X100X9XRT (Ref # 92049B)	92049-1280	1
RING-O (Ref # 92055)	92055-0115	1
RING-O,67.6X3.5 (Ref # 92055A)	92055-0134	1
RING-O,31.7X2.4 (Ref # 92055B)	92055-049	1
RING-O,OUTSIDE (Ref # 92055C)	92055-3771	1
PLUG,6.2X3 (Ref # 92066)	92066-1272	1
SPRING,25.8X4.0X86.2 (Ref # 92145)	92145-0549	1
BOLT,6X18 (Ref # 92153)	92153-0816	1
BOLT,TORX,5X15 (Ref # 92153A)	92153-1787	1
BOLT-FLANGED,8X12 (Ref # 130)	130BB0812	1
BOLT-FLANGED,8X25 (Ref # 130A)	130BD0825	1
NUT-HEX-FINE,10MM (Ref # 315)	315BA1000	1
CIRCLIP-TYPE-E (Ref # 482)	482EA7000	1
ROLLER,4X6 (Ref # 610)	610A0406	1
CLAMP (Ref # 92171)	92171-1715	1
SHIM,T=0.15 (Ref # 92180)	92180-0263	1
SHIM,T=0.50 (Ref # 92180A)	92180-0264	1
SHIM,T=0.60 (Ref # 92180B)	92180-0265	1
SHIM,T=0.70 (Ref # 92180C)	92180-0266	1
SHIM,T=0.80 (Ref # 92180D)	92180-0267	1
SHIM,T=0.90 (Ref # 92180E)	92180-0268	1
SHIM,T=1.00 (Ref # 92180F)	92180-0269	1
SHIM,T=1.20 (Ref # 92180G)	92180-0270	1
WASHER,16X36X4 (Ref # 92200)	92200-0320	1
WASHER,20.5X40X1.2 (Ref # 92200A)	92200-0321	1
WASHER (Ref # 92200B)	92200-1003	1
NUT,16MM (Ref # 92210)	92210-0354	1