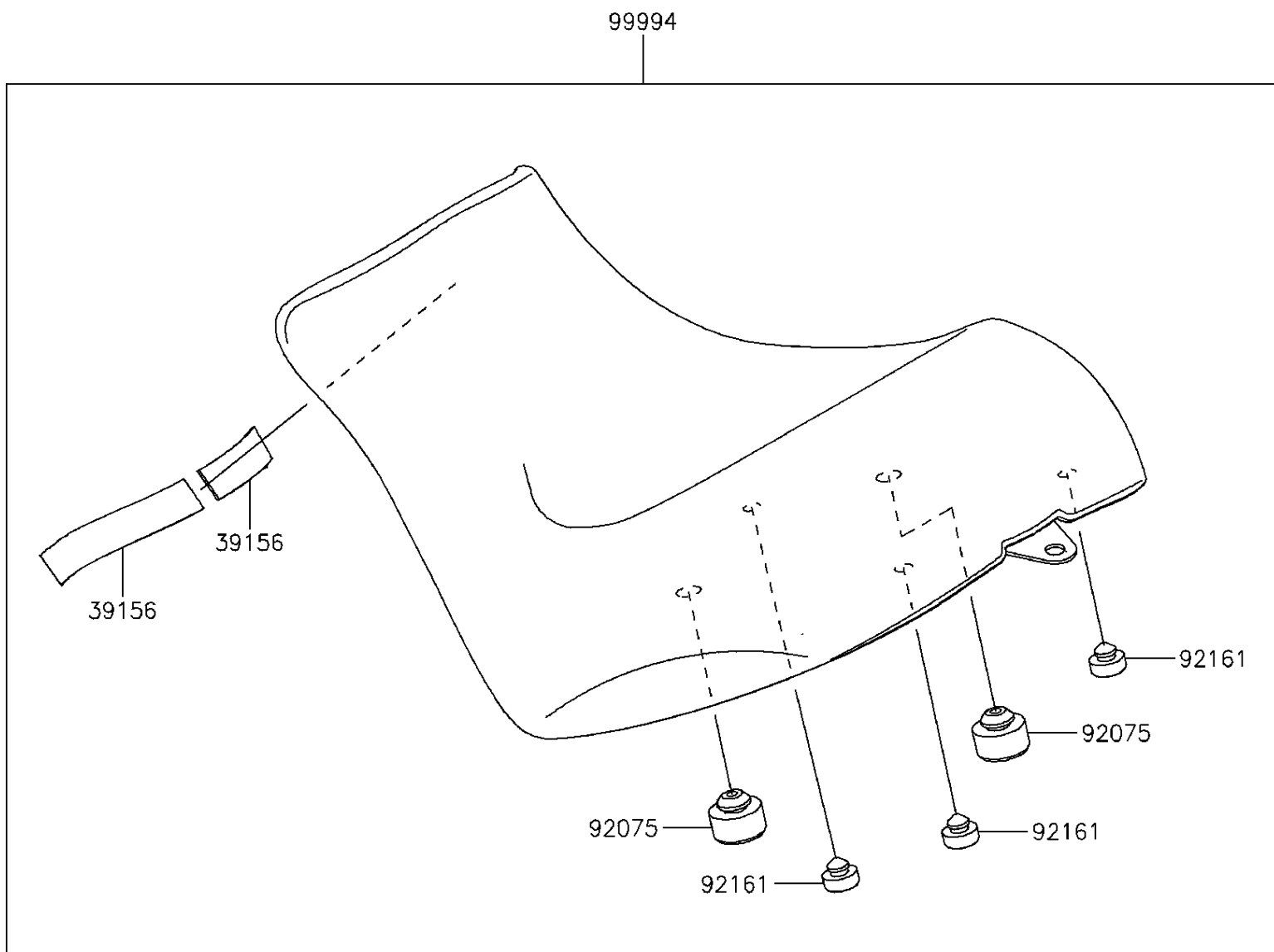


2015 Vulcan® S ABS PARTS DIAGRAM

Accessory(Reduced Reach Seat)

F2910E



2015 Vulcan® S ABS PARTS LIST

Accessory(Reduced Reach Seat)

ITEM NAME	PART NUMBER	QUANTITY
PAD,20X100X2 (Ref # 39156)	39156-1934	1
DAMPER (Ref # 92075)	92075-015	1
DAMPER,10X20X8 (Ref # 92161)	92161-0855	1
KIT.,REDUCED REACH SEAT (Ref # 99994)	99994-0515	1