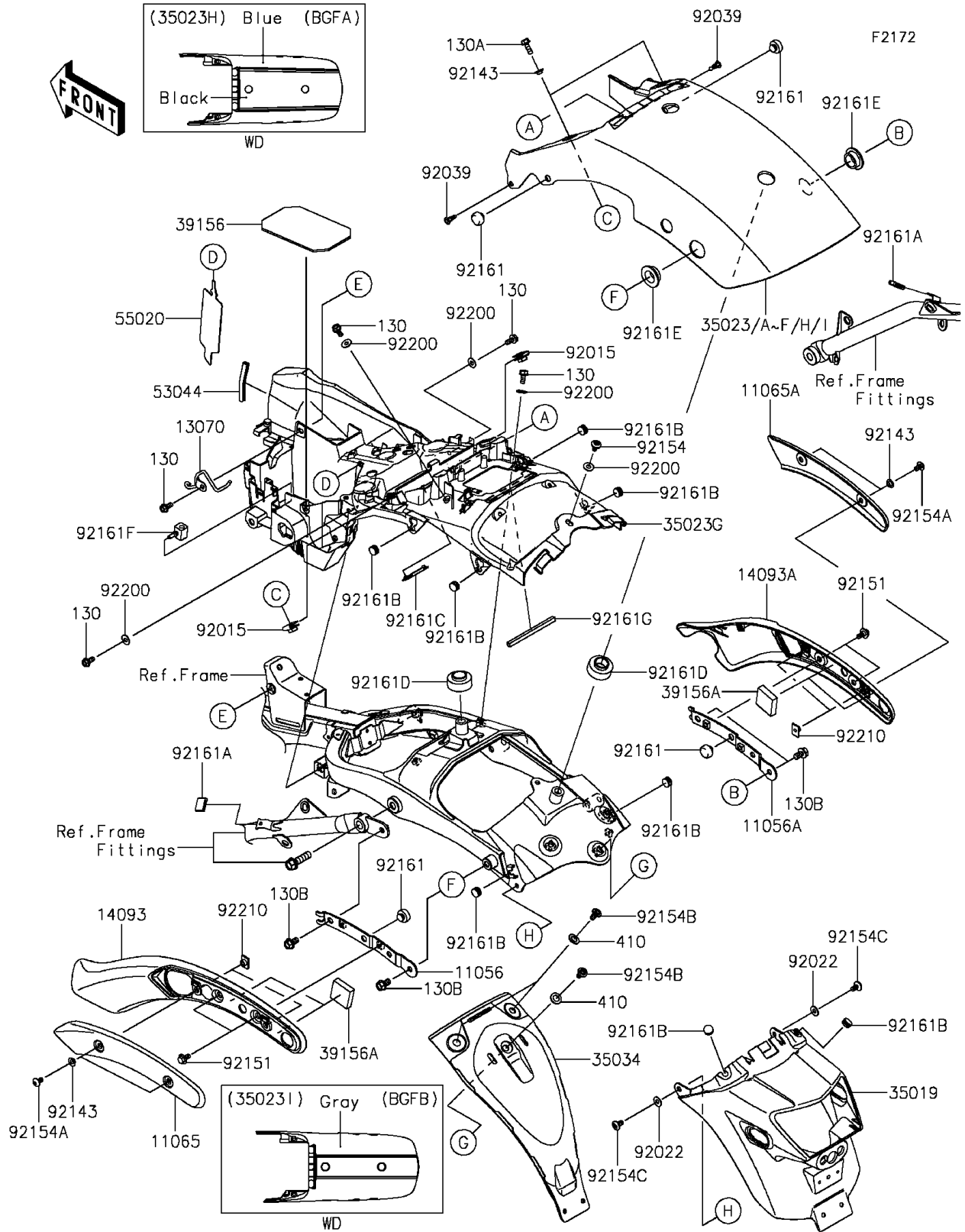


2015 Vulcan® S ABS PARTS DIAGRAM

Rear Fender(s)



2015 Vulcan® S ABS PARTS LIST

Rear Fender(s)

| ITEM NAME | PART NUMBER | QUANTITY |
|---|----------------|----------|
| BRACKET,STRUT COVER,LH (Ref # 11056) | 11056-3997 | 1 |
| BRACKET,STRUT COVER,RH (Ref # 11056A) | 11056-3998 | 1 |
| CAP,LH,F.S.BLACK (Ref # 11065) | 11065-0864-18T | 1 |
| CAP,RH,F.S.BLACK (Ref # 11065A) | 11065-0865-18T | 1 |
| GUIDE (Ref # 13070) | 13070-0791 | 1 |
| COVER,STRUT,LH,F.S.BLACK (Ref # 14093) | 14093-0103-18T | 1 |
| COVER,STRUT,RH,F.S.BLACK (Ref # 14093A) | 14093-0104-18T | 1 |
| FLAP (Ref # 35019) | 35019-0595 | 1 |
| FENDER-REAR,F.EBONY (Ref # 35023A) | 35023-0391-45L | 1 |
| FENDER-REAR,C.L.GREEN (Ref # 35023C) | 35023-0391-51P | 1 |
| FENDER-REAR,P.C.WHITE (Ref # 35023F) | 35023-0391-667 | 1 |
| FENDER-REAR (Ref # 35023G) | 35023-0407 | 1 |
| REINFORCE (Ref # 35034) | 35034-0593 | 1 |
| PAD (Ref # 39156) | 39156-1829 | 1 |
| PAD,35X35X10 (Ref # 39156A) | 39156-1901 | 1 |
| TRIM,L=65 (Ref # 53044) | 53044-0584 | 1 |
| GUARD (Ref # 55020) | 55020-1881 | 1 |
| NUT,6MM (Ref # 92015) | 92015-1094 | 1 |
| WASHER,6.5X16X1.0 (Ref # 92022) | 92022-1093 | 1 |
| RIVET (Ref # 92039) | 92039-0709 | 1 |
| COLLAR (Ref # 92143) | 92143-1331 | 1 |
| BOLT,FLANGED,6X13 (Ref # 92151) | 92151-1703 | 1 |
| BOLT,SOCKET,6X12 (Ref # 92154) | 92154-0951 | 1 |
| BOLT,SOCKET,6X12 (Ref # 92154A) | 92154-1484 | 1 |
| BOLT,SOCKET,8X14 (Ref # 92154B) | 92154-1769 | 1 |
| BOLT,SOCKET,6X12 (Ref # 92154C) | 92154-1788 | 1 |
| DAMPER,10X20X8 (Ref # 92161) | 92161-0855 | 1 |
| DAMPER (Ref # 92161A) | 92161-1472 | 1 |
| DAMPER,8X14X8.9 (Ref # 92161B) | 92161-1666 | 1 |

2015 Vulcan® S ABS PARTS LIST

Rear Fender(s)

| ITEM NAME | PART NUMBER | QUANTITY |
|--------------------------------------|----------------|----------|
| DAMPER,GPS HOLE (Ref # 92161C) | 92161-1682 | 1 |
| DAMPER (Ref # 92161D) | 92161-1683 | 1 |
| BOLT-FLANGED,6X14 (Ref # 130) | 130BA0614 | 1 |
| BOLT-FLANGED,6X18 (Ref # 130A) | 130BA0618 | 1 |
| BOLT-FLANGED,8X14 (Ref # 130B) | 130BA0814 | 1 |
| WASHER-PLAIN-SMALL,10MM (Ref # 410) | 410AA1000 | 1 |
| DAMPER (Ref # 92161E) | 92161-1693 | 1 |
| DAMPER,TOOL WRENCH (Ref # 92161F) | 92161-1760 | 1 |
| DAMPER,7X6X100 (Ref # 92161G) | 92161-1761 | 1 |
| WASHER,6.5X16X1.0 (Ref # 92200) | 92200-0796 | 1 |
| NUT,PLATE,6MM (Ref # 92210) | 92210-1352 | 1 |
| FENDER-REAR,M.R.PURPLE (Ref # 35023) | 35023-0391-35Y | 1 |