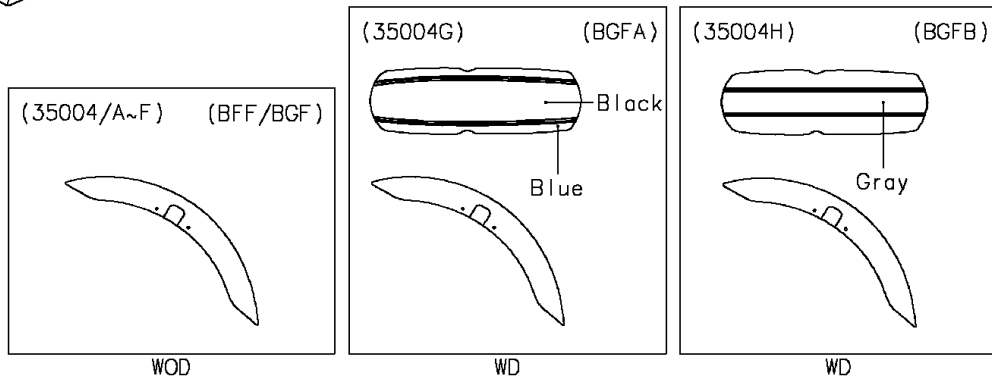
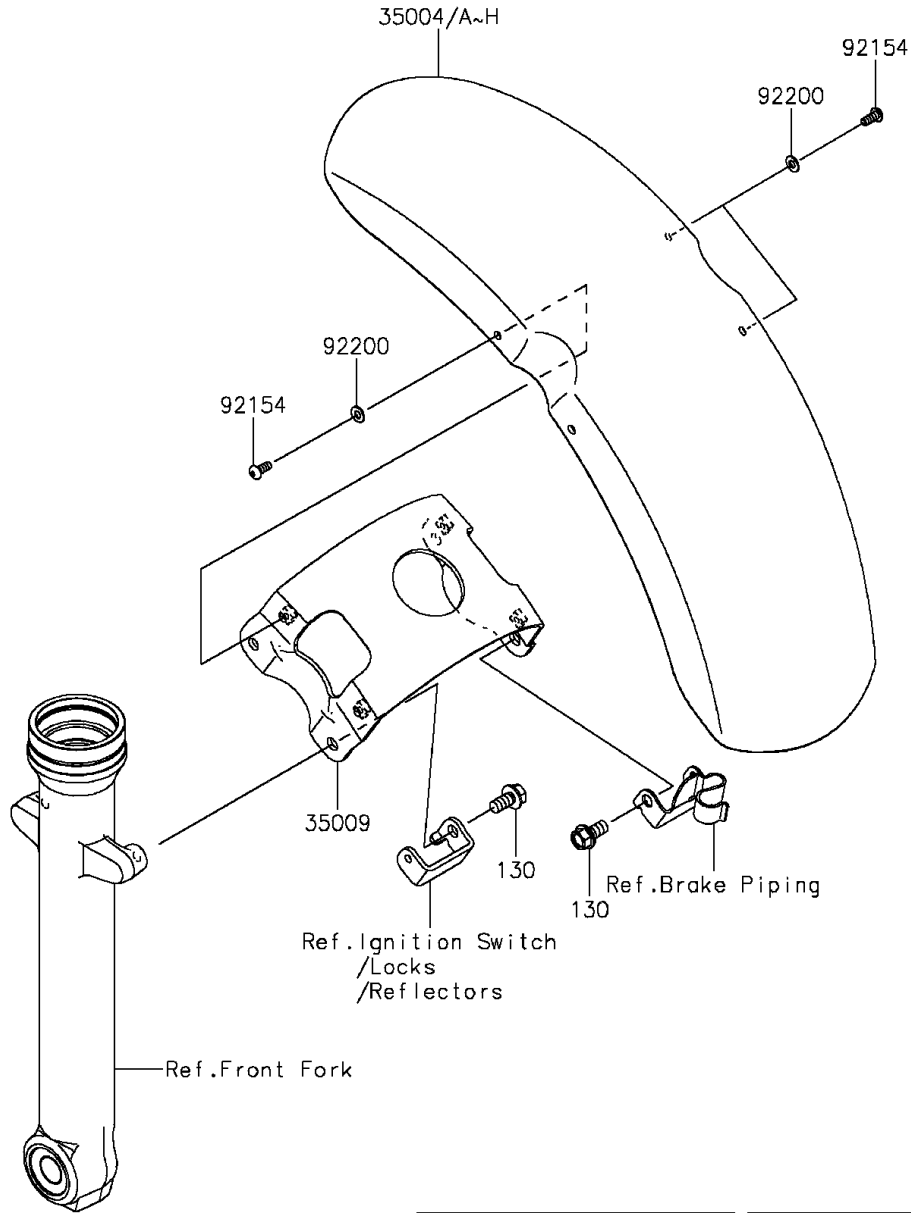


2015 Vulcan® S ABS PARTS DIAGRAM

Front Fender(s)

F2171



2015 Vulcan® S ABS PARTS LIST

Front Fender(s)

ITEM NAME	PART NUMBER	QUANTITY
BOLT-FLANGED,8X16 (Ref # 130)	130BA0816	1
FENDER-FRONT,F.EBONY (Ref # 35004A)	35004-0341-45L	1
FENDER-FRONT,C.L.GREEN (Ref # 35004C)	35004-0341-51P	1
FENDER-FRONT,P.C.WHITE (Ref # 35004F)	35004-0341-667	1
BRACE (Ref # 35009)	35009-0037	1
BOLT,SOCKET,5X12 (Ref # 92154)	92154-1471	1
WASHER,5.3X11X1 (Ref # 92200)	92200-0973	1
FENDER-FRONT,M.R.PURPLE (Ref # 35004)	35004-0341-35Y	1