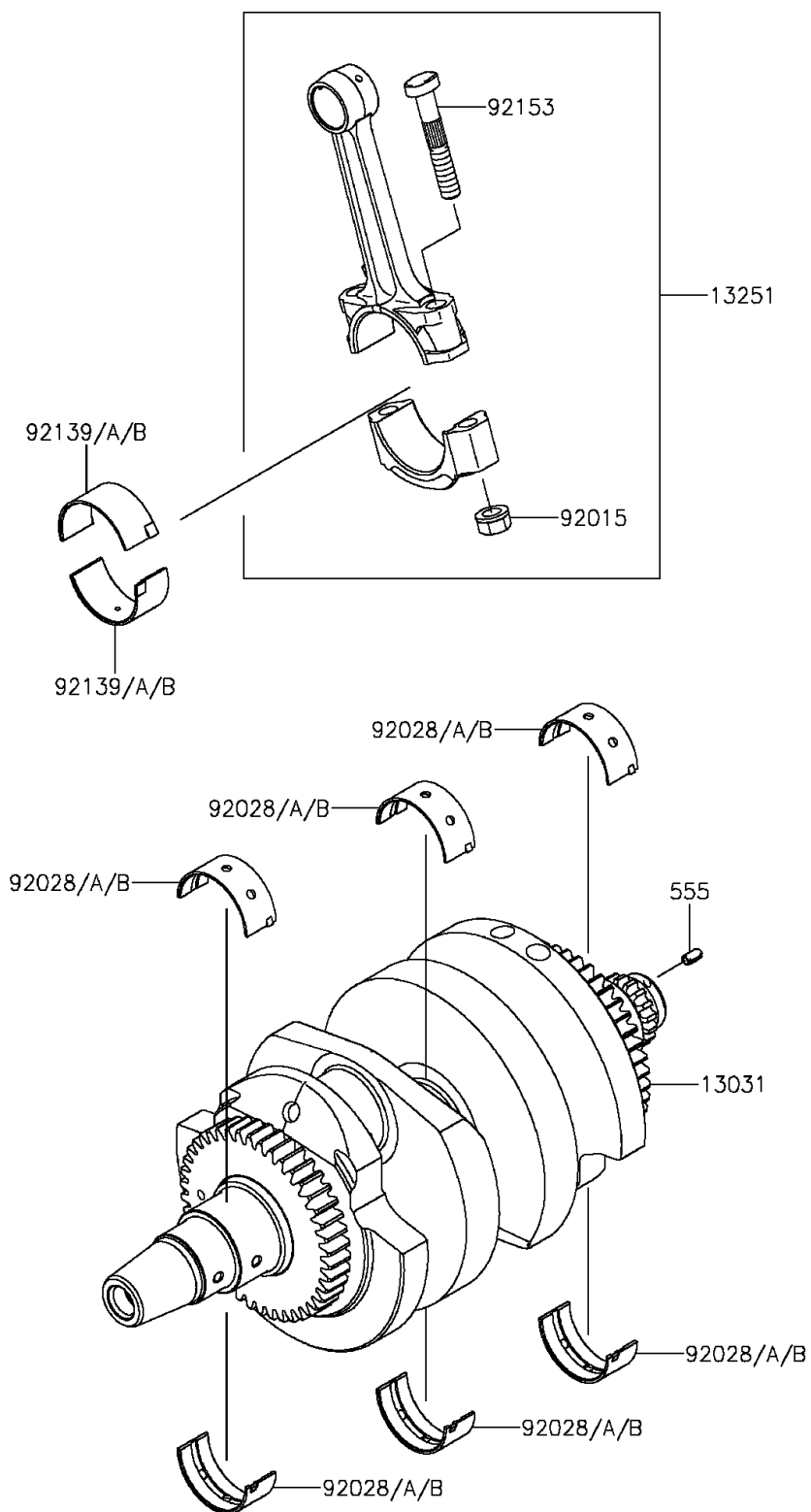


2015 Vulcan® S ABS PARTS DIAGRAM

Crankshaft

E1321



2015 Vulcan® S ABS PARTS LIST

Crankshaft

ITEM NAME	PART NUMBER	QUANTITY
PIN-SPRING,4X8 (Ref # 555)	555A0408	1
CRANKSHAFT-COMP (Ref # 13031)	13031-0803	1
ROD-ASSY-CONNECTING,K (Ref # 13251)	13251-0010-KK	1
NUT,FLANGED,8MM (Ref # 92015)	92015-1311	1
BUSHING,CRANKSHAFT,BLUE (Ref # 92028)	92028-1903	1
BUSHING,CRANKSHAFT,BLACK (Ref # 92028A)	92028-1904	1
BUSHING,CRANKSHAFT,BROWN (Ref # 92028B)	92028-1905	1
BUSHING,CON-ROD,BLUE (Ref # 92139)	92139-0114	1
BUSHING,CON-ROD,BLACK (Ref # 92139A)	92139-0115	1
BUSHING,CON-ROD,BROWN (Ref # 92139B)	92139-0116	1
BOLT,CON-ROD,8X49 (Ref # 92153)	92153-0957	1