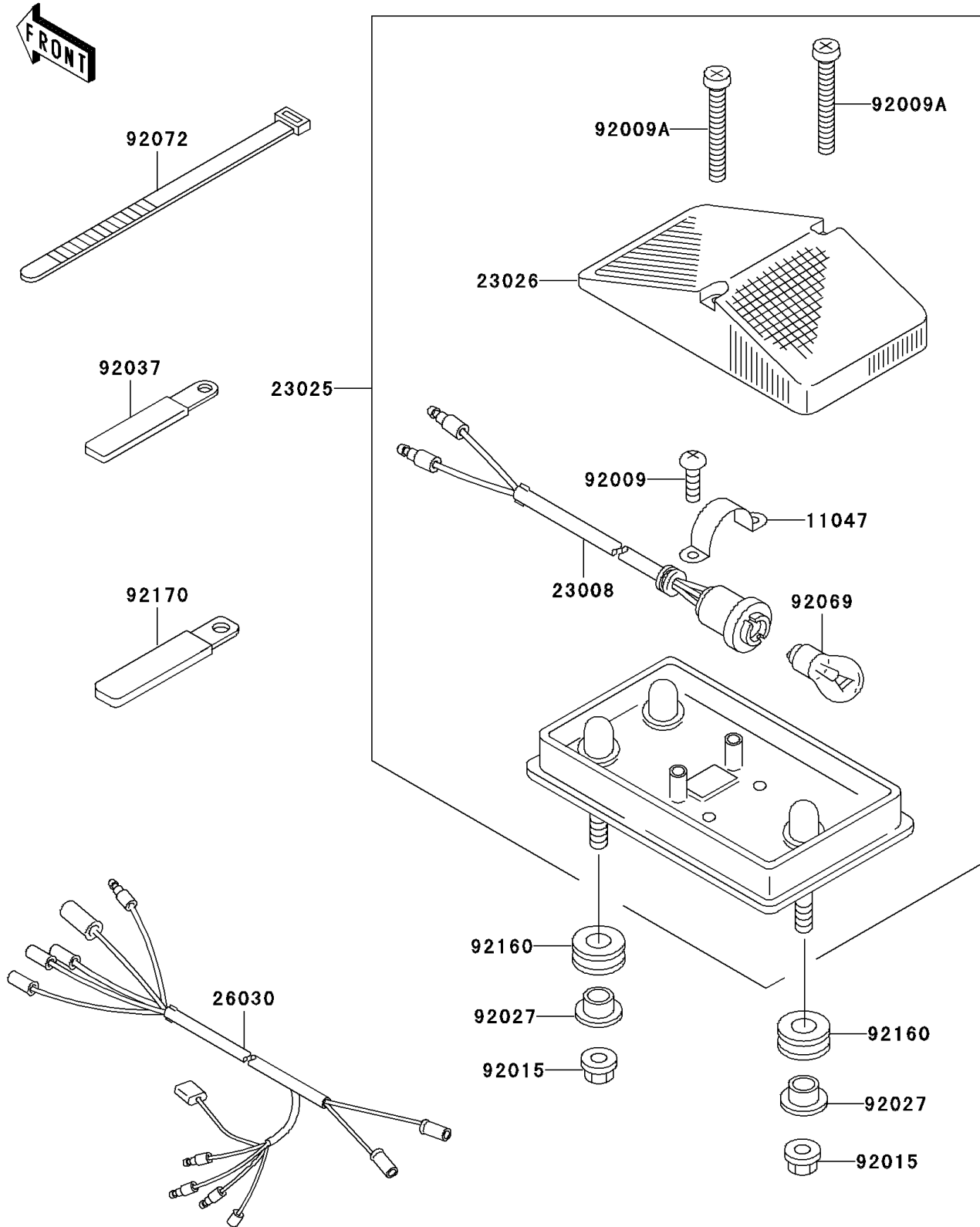


2000 KDX™200 PARTS DIAGRAM

Taillight(s)

F2720



2000 KDX™200 PARTS LIST

Taillight(s)

ITEM NAME	PART NUMBER	QUANTITY
BRACKET, TAIL LAMP (Ref # 11047)	11047-1238	1
SOCKET-ASSY, TAIL LAMP (Ref # 23008)	23008-1462	1
LAMP-TAIL (Ref # 23025)	23025-1215	1
LENS, TAIL LAMP (Ref # 23026)	23026-1131	1
HARNESS, MAIN (Ref # 26030)	26030-1279	1
SCREW, TAPPING, 4X10 (Ref # 92009)	92009-1021	1
SCREW, TAPPING, 4X30 (Ref # 92009A)	92009-1647	1
NUT, FLANGED, 6MM (Ref # 92015)	92015-1367	1
COLLAR, L=14.1 (Ref # 92027)	92027-1920	1
CLAMP, WIRING HARNESS, L=60 (Ref # 92037)	92037-1069	1
BULB, 12V 10W (Ref # 92069)	92069-1072	1
BAND, L=202 (Ref # 92072)	92072-1195	1
DAMPER (Ref # 92160)	92160-1167	1
CLAMP, L=150 (Ref # 92170)	92170-1114	1