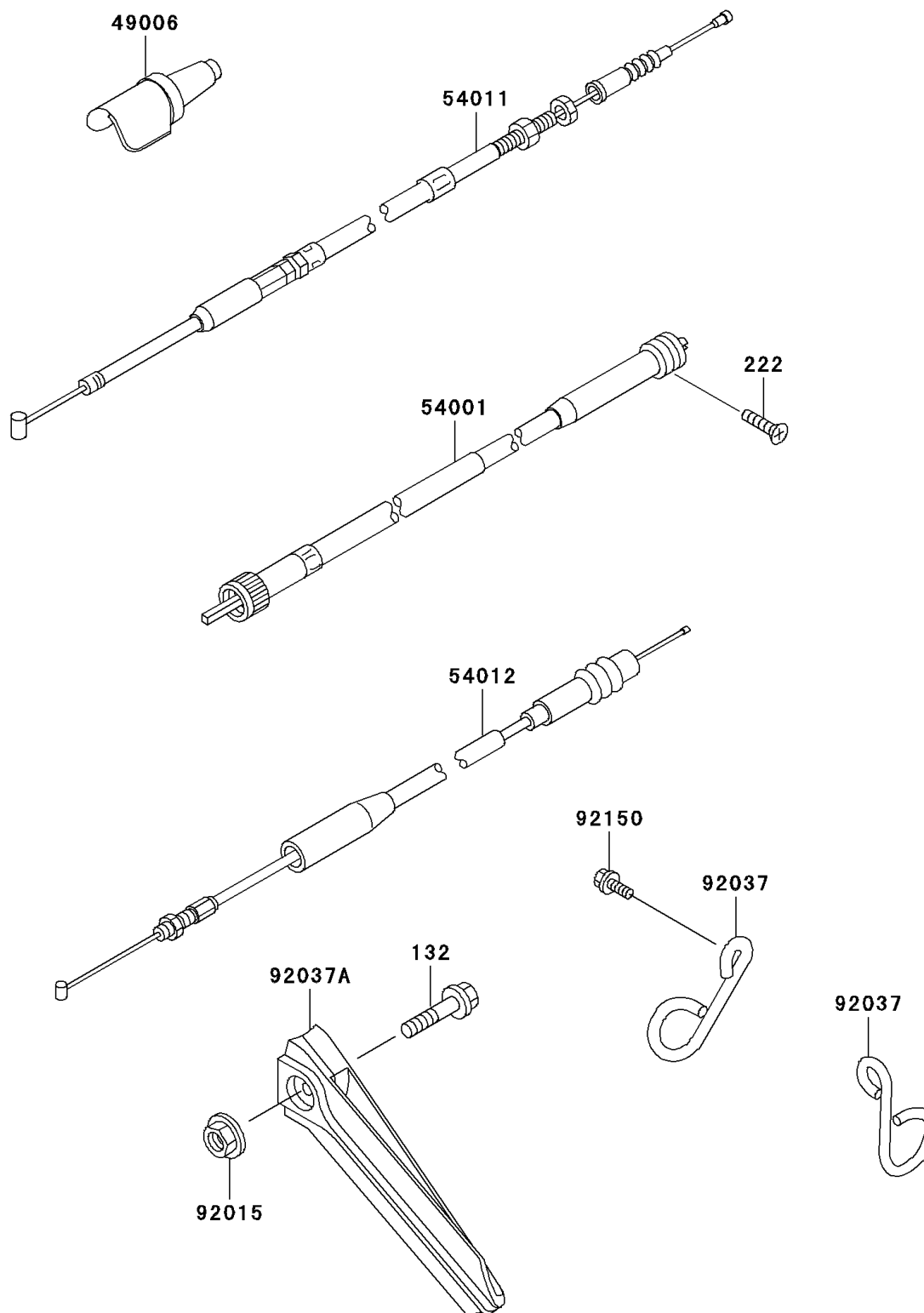


## 2000 KDX™200 PARTS DIAGRAM

Cables

F2540



## 2000 KDX™200 PARTS LIST

### Cables

ITEM NAME	PART NUMBER	QUANTITY
BOLT-FLANGED-SMALL (Ref # 132)	132G0630	1
SCREW-CSK-RD-CROS (Ref # 222)	222C0520	1
BOOT (Ref # 49006)	49006-1189	1
CABLE-SPEEDMETER (Ref # 54001)	54001-1201	1
CABLE-CLUTCH (Ref # 54011)	54011-1342	1
CABLE-THROTTLE (Ref # 54012)	54012-1485	1
NUT,FLANGED,6MM (Ref # 92015)	92015-1193	1
CLAMP,CABLE (Ref # 92037)	92037-1064	1
CLAMP,CABLE (Ref # 92037A)	92037-1481	1
BOLT,6X14 (Ref # 92150)	92150-1340	1