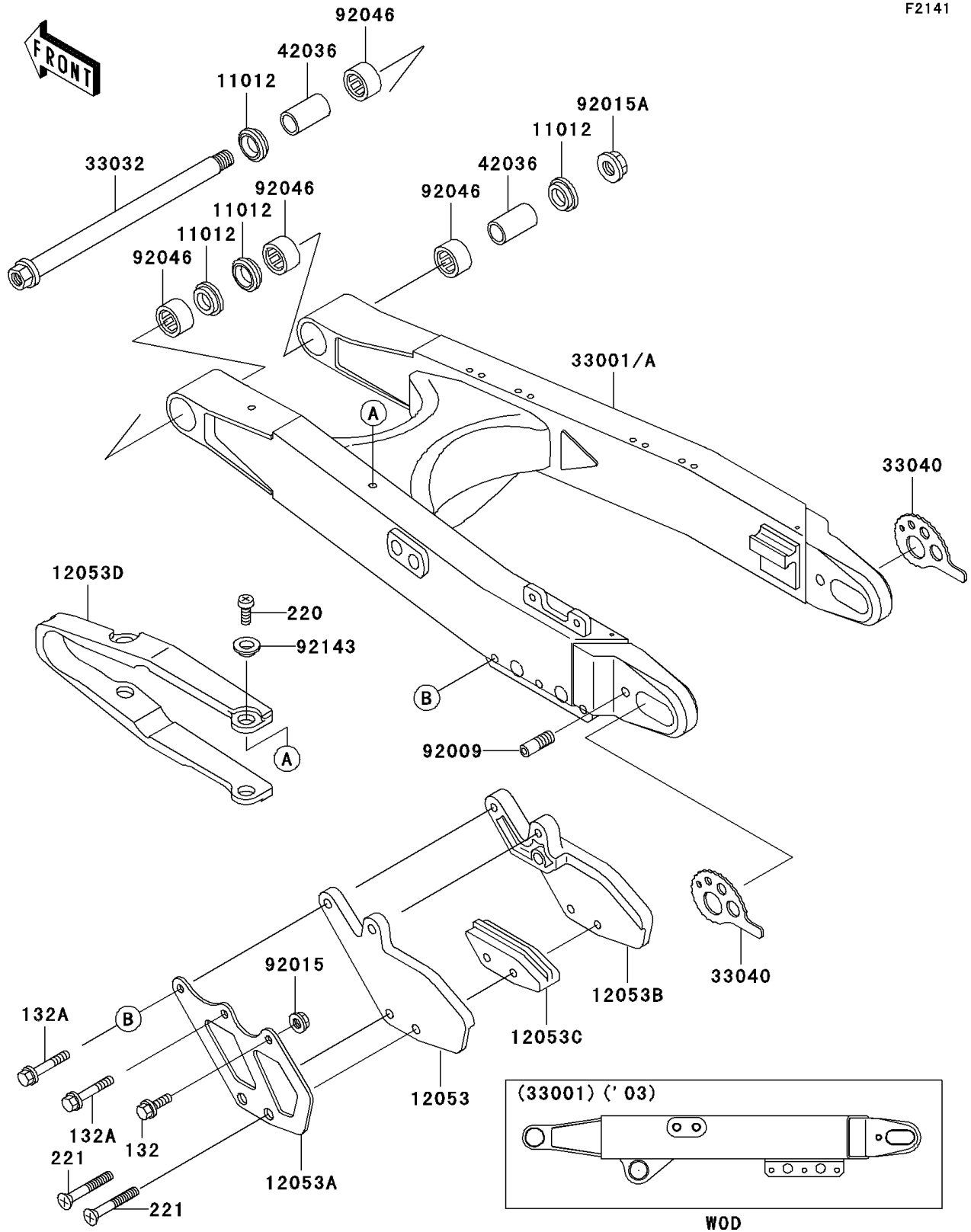


2000 KDX™200 PARTS DIAGRAM

Swingarm

F2141



2000 KDX™200 PARTS LIST

Swingarm

| ITEM NAME | PART NUMBER | QUANTITY |
|--|---------------|----------|
| BOLT-FLANGED-SMALL (Ref # 132) | 132G0616 | 1 |
| BOLT-FLANGED-SMALL (Ref # 132A) | 132G0635 | 1 |
| SCREW-PAN-CROS,6X10 (Ref # 220) | 220B0610 | 1 |
| SCREW-CSK-CROS,6X45 (Ref # 221) | 221B0645 | 1 |
| CAP,SWING ARM (Ref # 11012) | 11012-1259 | 1 |
| GUIDE-CHAIN,RR,INSIDE (Ref # 12053) | 12053-1234 | 1 |
| GUIDE-CHAIN,RR,OUTSIDE (Ref # 12053A) | 12053-1235 | 1 |
| GUIDE-CHAIN,RR,OUTSIDE (Ref # 12053B) | 12053-1236 | 1 |
| GUIDE-CHAIN,DRIVE,RR,INSIDE (Ref # 12053C) | 12053-1270 | 1 |
| GUIDE-CHAIN,DRIVE,FR (Ref # 12053D) | 12053-1328 | 1 |
| ARM-COMP-SWING,SILVER NO.35 (Ref # 33001A) | 33001-1451-TX | 1 |
| SHAFT-SWING ARM (Ref # 33032) | 33032-1137 | 1 |
| ADJUSTER-CHAIN (Ref # 33040) | 33040-1113 | 1 |
| SLEEVE,SWING ARM (Ref # 42036) | 42036-1056 | 1 |
| SCREW,SET,10X29 (Ref # 92009) | 92009-1686 | 1 |
| NUT,FLANGED,6MM (Ref # 92015) | 92015-1078 | 1 |
| NUT,14MM (Ref # 92015A) | 92015-1407 | 1 |
| BEARING-NEEDLE,TA202715ZE (Ref # 92046) | 92046-1118 | 1 |
| COLLAR (Ref # 92143) | 92143-1156 | 1 |