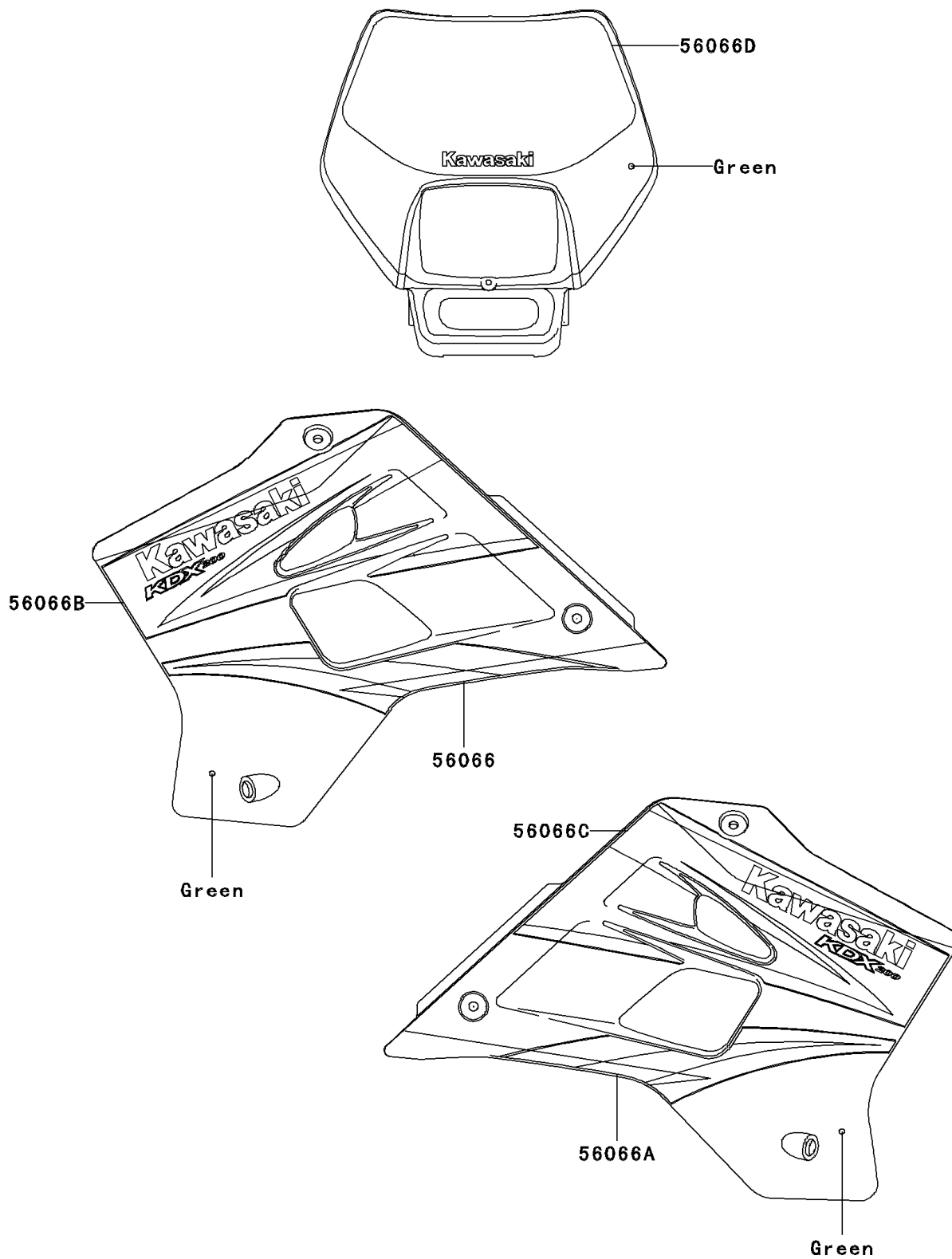


## 2004 KDX™200 PARTS DIAGRAM

Decals(H10)

F2861



## 2004 KDX™200 PARTS LIST

Decals(H10)

ITEM NAME	PART NUMBER	QUANTITY
PATTERN,SHROUD,LWR,LH (Ref # 56066)	56066-0394	1
PATTERN,SHROUD,LWR,RH (Ref # 56066A)	56066-0396	1
PATTERN,SHROUD,UPP,LH (Ref # 56066B)	56066-0397	1
PATTERN,SHROUD,UPP,RH (Ref # 56066C)	56066-0398	1
PATTERN,HEAD LAMP COVER (Ref # 56066D)	56066-1089	1