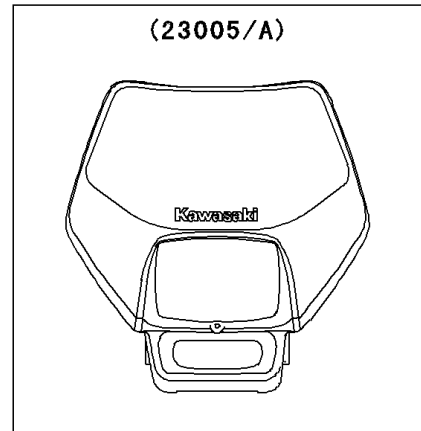
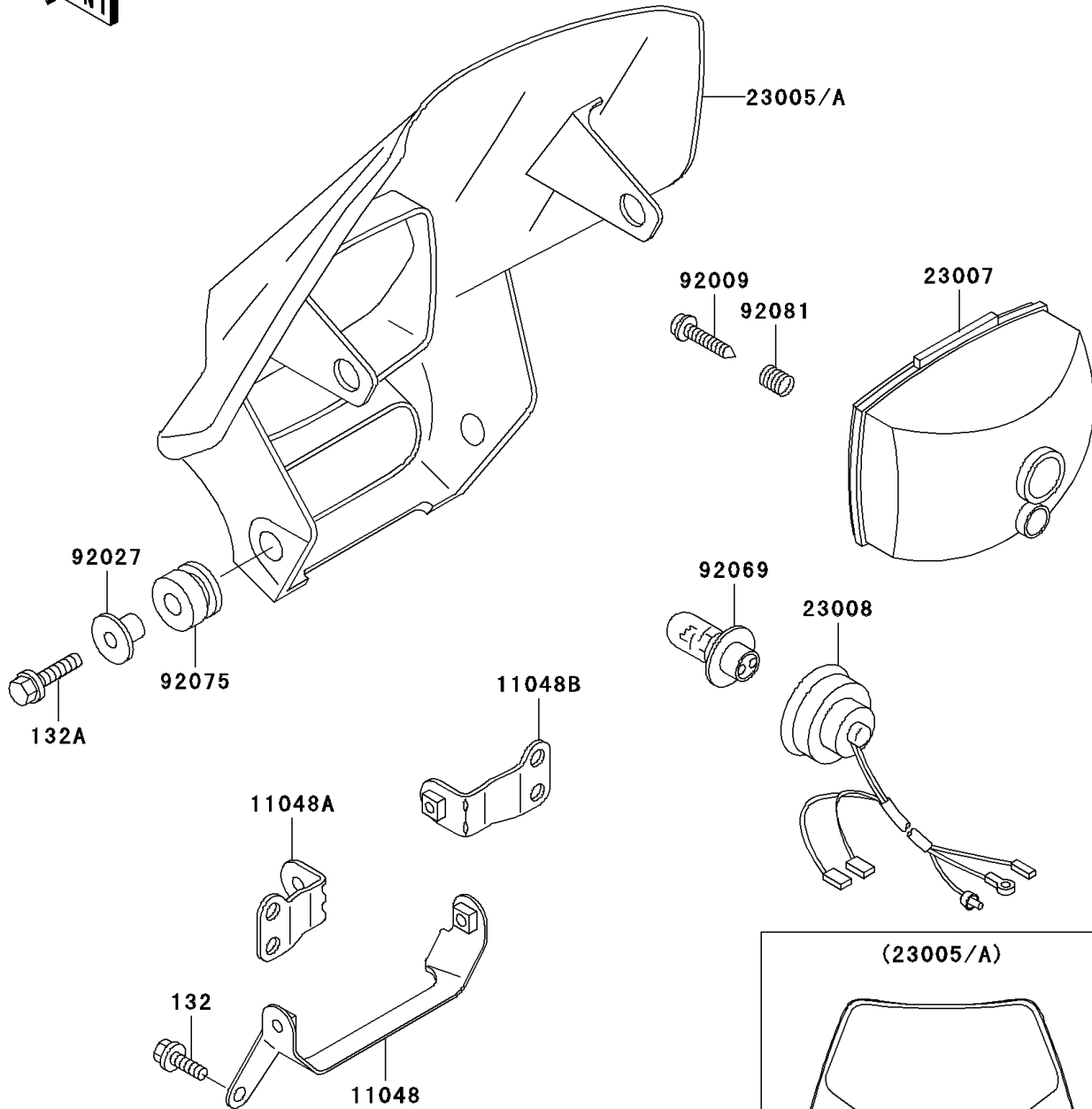


2004 KDX™200 PARTS DIAGRAM

Headlight(s)

F2710



WD

2004 KDX™200 PARTS LIST

Headlight(s)

ITEM NAME	PART NUMBER	QUANTITY
BOLT-FLANGED-SMALL (Ref # 132)	132G0612	1
BOLT-FLANGED-SMALL (Ref # 132A)	132G0620	1
BRACKET,HEAD LAMP,LWR (Ref # 11048)	11048-1089	1
BRACKET,HEAD LAMP,UPP,LH (Ref # 11048A)	11048-1534	1
BRACKET,HEAD LAMP,UPP,RH (Ref # 11048B)	11048-1535	1
BODY-COMP-HEAD LAMP,L.GREEN (Ref # 23005A)	23005-5044-6W	1
LENS-COMP,HEAD LAMP (Ref # 23007)	23007-1246	1
SOCKET-ASSY,HEAD LAMP (Ref # 23008)	23008-1513	1
SCREW,TAPPING (Ref # 92009)	92009-1695	1
COLLAR (Ref # 92027)	92027-1183	1
BULB,12V 30/30W (Ref # 92069)	92069-1080	1
DAMPER,RUBBER (Ref # 92075)	92075-1123	1
SPRING,FOUCUS ADJUSTING (Ref # 92081)	92081-1519	1